



REP SERVICES, INC.

Experts at Play & Outdoor Spaces

Site Amenities ■ Playground Equipment ■ Safety Surfacing ■ Shade
Phone: 407.831.9658 Fax: 866.232.8532 E-mail: sales@repervices.com

E-mail POs and contracts to:
contracts@repervices.com

Please mail checks to:
Rep Services, Inc.
165 W. Jessup Ave.
Longwood, FL 32750-4146

Proposed To: City of Delray Beach
Public Works
434 S Swinton Ave
Delray Beach, FL 33444-3553

Attn: Amanda Skeberis

Ship To: TBD at a later date

Attn:

Bill To: City of Delray Beach
Public Works
434 S Swinton Ave
Delray Beach, FL 33444-3553

Attn: Amanda Skeberis

Project No: 19556 **Project Name:** Beach Recycling **Project Contact:** Amanda Skeberis
Proposal No: 19556.04 **Proposal Name:** Beach Recycling-Lids Only **Project Location:** 1 S Ocean Blvd
Proposal Date: 3/24/2026 **Proposal Expires:** 4/23/2026 Delray Beach, FL 33444
Project County: Palm Beach
For Questions Contact: Adrienne Abrams ☎ 407-853-3564 ✉ adrienne@repervices.com
Consultant: Paul Bravo ☎ 561-448-0369 ✉ paul@repervices.com **Opt/Rev:** C/1 3/24/26 - AA

Vendor: Anova **Proj Drawings:** ANO 610466

Class	Part No	Qty	Description	Unit Price	Disc	Net Price	Ext Price
Receptacles	F3014	20 EA	32 Gallon Spun Recycler Lid	353.00	-2.0%	345.94	6,918.80
Discount per the Clay County Contract #2023/2024-284: \$141.20						Product Subtotal:	\$6,918.80
Freight: Prepaid Ship Method: Best Way FOB: Destination Weight: 220 lbs						Freight Charge	\$955.29
						Anova Total:	\$7,874.09

Installation By RSI Installer: The scope includes the following, as required: 610502

Item	Qty	Description	RSI Installer Total:
OFFLOADING	1 LT	Offloading Equipment & Mobilization	\$5,000.00

General Terms of Sale and Proposal Summary

Net 30	Product:	\$6,918.80
	Installation:	\$5,000.00
	Freight:	\$955.29
	Proposal Total:	\$12,874.09

Notes

The Clay County Contract #2023/2024-284 provides a 2% discount on Anova product. The maximum price for installation is 100% of the product price. (Installation does not include site prep, slabs, footings or engineering). Per the Clay County Contract, we are required to offer offloading.

Basis of Proposal:
Our proposal is based upon your email dated 03/23/2026 requesting updated pricing. Per the Clay County contract, we are required to offer offloading. Installation done by others.

Please note the vendor information itemized below.

Estimated product delivery schedule- Freight includes lift gate.
The lead time for your project is 5-7 weeks after RSI receipt of your signed order, finish selections, Credit Agreement and Deposit.

Anova Site Furnishings:
Color Selection: High-Gloss Blue
Text: None
Recycle Logo Decal Added: Yes
Lettering Color: White

NOTES: Please be aware of the following
• Some products require assembly.
• Shipments are via Semi Trailer

Time Limitations Holding Prices Firm:
Orders are shipped within our manufacturer's standard lead times. Requests for delayed shipping may result in additional costs due to increases in freight, material costs or other factors. To secure the prices on this proposal, the offer must be accepted prior to the expiration date noted.

If, during the performance of this contract, the price of a product increases 3% or more as documented by factory quotes, invoices or receipts to contractor (Rep Services, Inc.) from the date of the contract signing the price of shall be equitably adjusted by an amount reasonably necessary to cover such price increases. Where the delivery of a product is delayed, through no fault of contractor (RSI) as a result of the shortage or unavailability of a product, contractor (RSI) shall not be liable for any additional costs or damages associated with such delay(s).

The undersigned warrants that he/she is an authorized representative of the City of Delray Beach noted and has the requisite authority to bind the City of Delray Beach and/or principal.

Accepted By:

City of Delray Beach

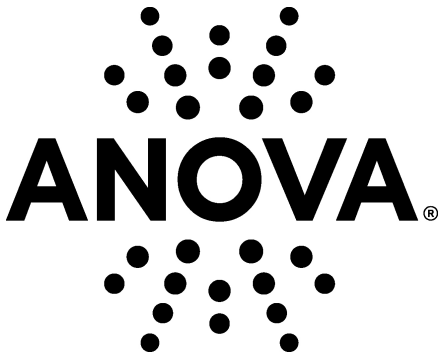
Company Name

Authorized By

Printed Name

Date

As Its: _____ (Title)



211 North Lindbergh Blvd.

St. Louis, MO 63141

888.535.5005 tel

314.754.0835 fax

specify@anovafurnishings.com

anovafurnishings.com



F3014
RECYCLING TOP
 spun steel recycling top for
 32-gallon receptacles, large decals

Material

The 32-gallon receptacle contour top is made of spun 18-gauge galvanized steel. The top features a 5-inch diameter center opening to help filter recycling materials and includes a 14-inch web security strap. The customer has a choice of "TRASH ONLY", "CANS ONLY", "PLASTIC ONLY", "GLASS ONLY", OR "PAPER ONLY" decals in lettering that is 2 1/8" tall, along with the recycling symbol decals only. The decals have a transparent background and the graphics are available in black or white depending on the top color. The top is also available without the decals. Decals are factory applied.

Finish

This product is made of galvanized steel protected with a high-gloss powder coat finish.

Color

See website or sales representative for color choices.

Assembly

Attachment of the top to the receptacle body requires some assembly.

Maintenance

The product is virtually maintenance-free and requires only periodic cleaning with a sponge and a solution of mild detergent and water to remove surface dirt. Do not clean with solvent or petroleum based products.

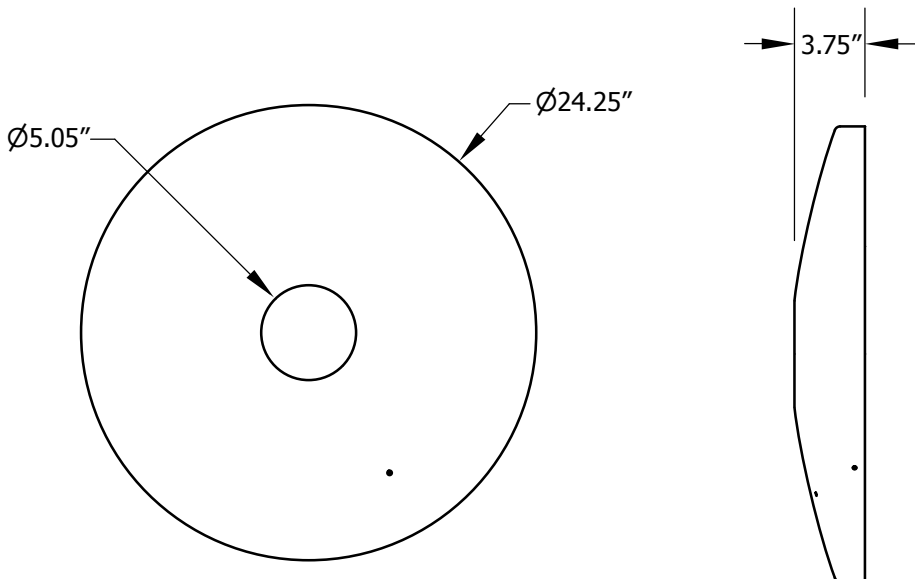
Warranty

20-year limited structural warranty with 7-year finish warranty against fading; 3-year finish warranty on powder coated steel components against rusting, peeling, chipping, cracking, mold, mildew and defects in materials and/or workmanship.

See full details on multi-year warranties for components at

<https://www.anovafurnishings.com/warranty>

Top will fit the following receptacles: L1378BRT, L1383BRT



Shipping Information

Unit Wt.	Unit Shipping Wt. UPS (1-10 Units)	Unit Shipping Wt. Truck (11+ Units)	Unit Ship Size w/Pallet	Max Units per Pallet	Pallet Wt. (48" x 32")	Total No. Pkgs	Shipping Class
8 lbs	11 lbs/unit	11 lbs/unit	8 cu. ft.	24	50 lbs	1	100