

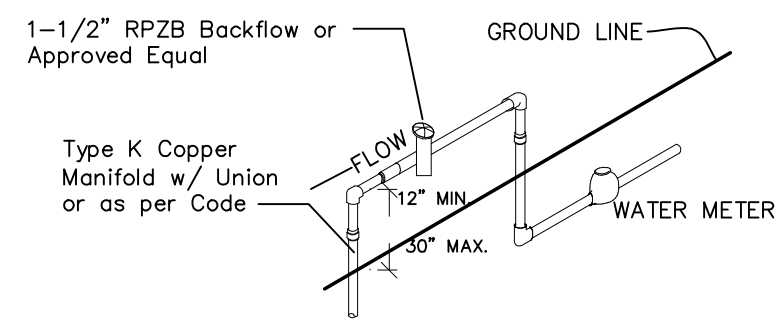
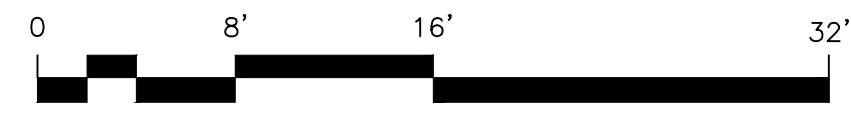
OVERHEAD POWERLINES

OVERHEAD POWERLINES



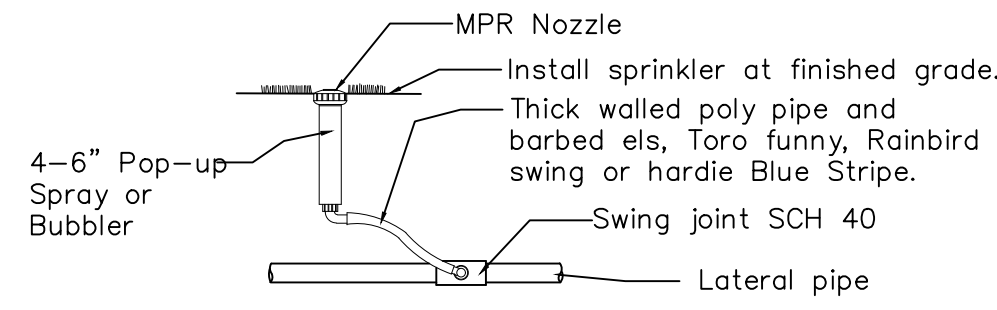
# IRRIGATION PLAN

SCALE: 1/8" = 1'-0"



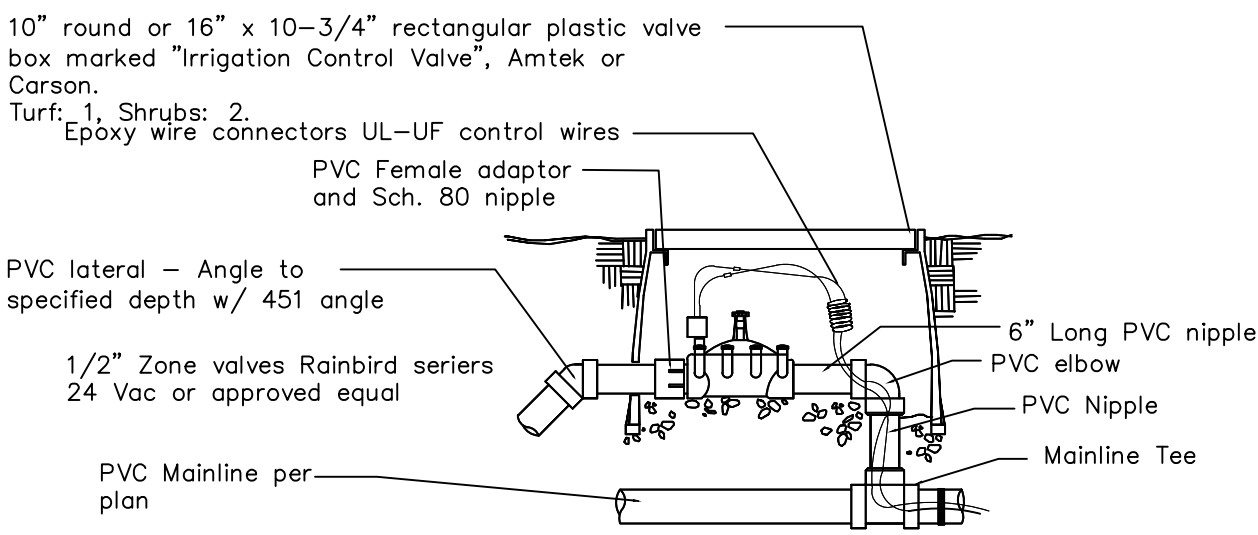
Point of Connection

NTS



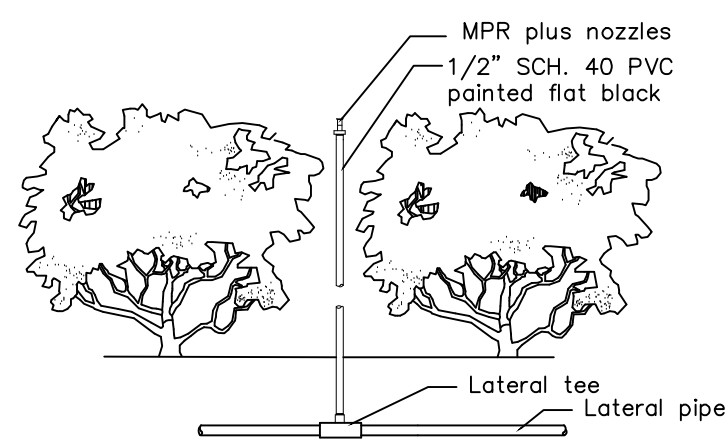
4 or 6" Pop-up Spray / Bubbler Detail

NTS



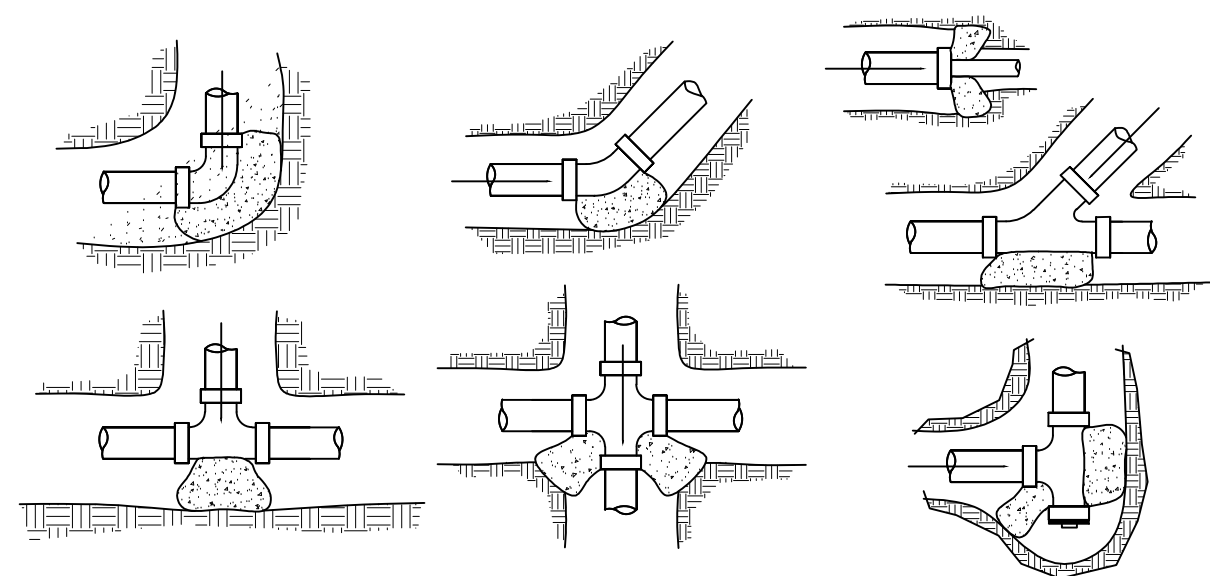
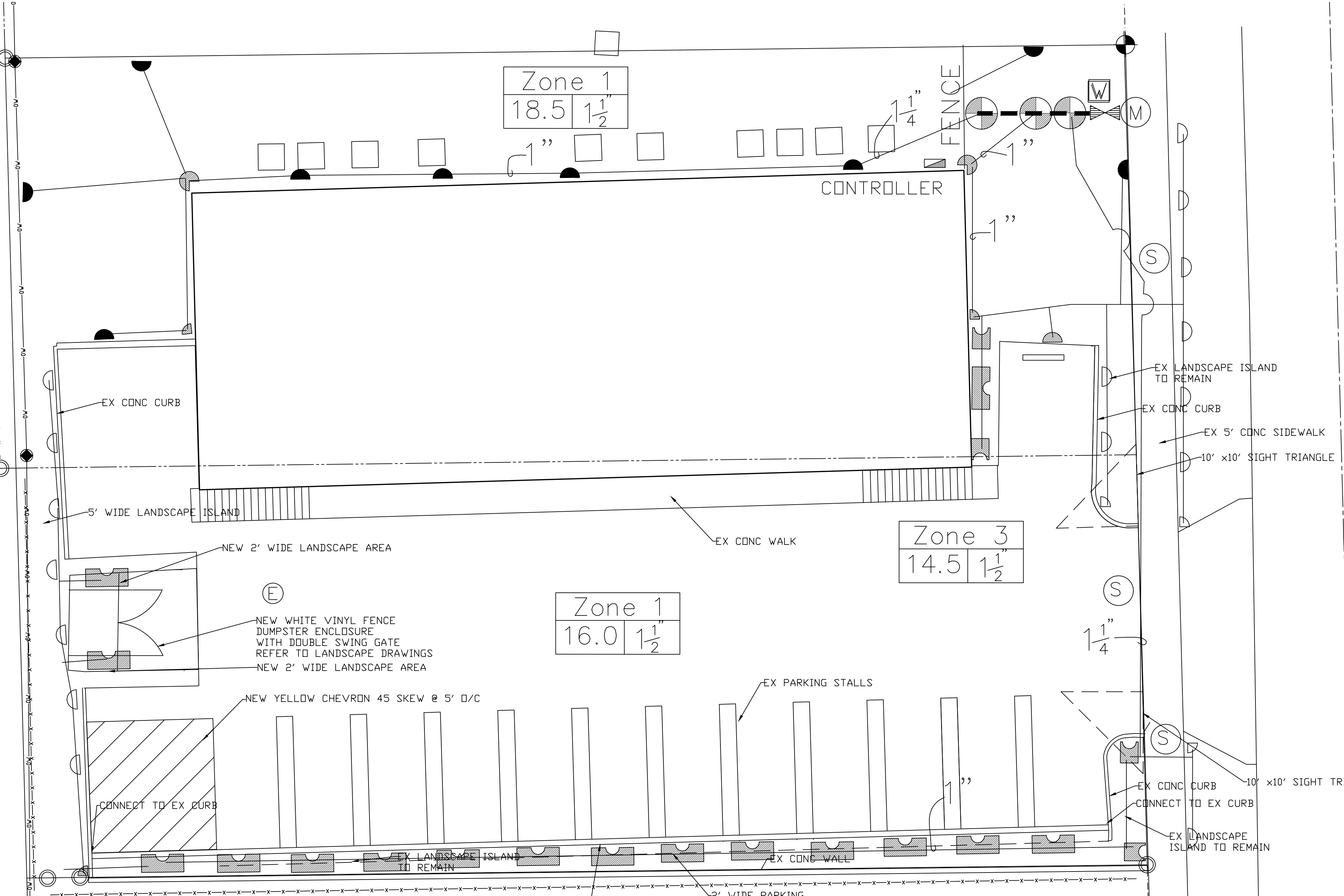
Zone Valve Detail

NTS



Shrub Riser Spray Detail

NTS



Main Line Thrust Blocks

NTS

### IRRIGATION LEGEND:

- MAIN LINE - 1-1/4" Feed From City Water Source
- LATERAL ZONE LINES - SDR PVC as noted
- ZONE BOUNDARIES
- BACK FLOW - See Point of Connection Detail.
- CONTROLLER - Toro Custom Command Series Electric 4 station controller #CC-P-4 mounted on North facade of structure, with a Rain Check automatic rain sensor shutoff switch mounted outside on eave of structure.
- ZONE VALVES - Toro 252 Series
- EXISTING WATER METER - 1" or per City Code.
- SLEEVES - Sch. 40, 2 Sizes Larger. NOTE - Pipe Size Shown is the Lateral Size, NOT the Sleeve Size
- 6" POP-UP SPRAY - Toro 570 Series MPR Spray Nozzles as Required. NOTE - All of the below may not be used
- 15' Series - 15-0-PC - 1/4", 15-T-PC - 1/3", 15-H-PC - 1/2", 15-TT-PC - 2/3", 15-T0-PC - 3/4", 15-F-PC - Full
- 12' Series - 12-0-PC - 1/4", 12-T-PC - 1/3", 12-H-PC - 1/2", 12-TT-PC - 2/3", 12-T0-PC - 3/4", 12-F-PC - Full
- 10' Series - 10-0-PC - 1/4", 10-T-PC - 1/3", 10-H-PC - 1/2", 10-TT-PC - 2/3", 10-T0-PC - 3/4", 10-F-PC - Full
- 8' Series - 8-0-PC - 1/4", 8-T-PC - 1/3", 8-H-PC - 1/2", 8-TT-PC - 2/3", 8-T0-PC - 3/4", 8-F-PC - Full
- 4S-SST-PC 4 x 18'
- 4-EST-PC 4 x 15'
- 4-CST-PC 4 x 30'
- 6" POP-UP FLDD BUBBLER - Toro 570 Series MPR Pressure Compensating Nozzles as Required.
- SYSTEM DESIGN OPERATING PRESSURE = Between 35 and 40 psi.
- 4" POP-UP ROTOR - Hunter PGM Rotor w/ Appropriate Nozzle as Required

### IRRIGATION NOTES:

Piping:  
Main Lines: PVC SDR 26, Class 160 Solvent Weld.  
Zone Lines: PVC, 1/2 in. and 3/4 in. are not used. Min. pipe is 1 in. 315 PSI: 1 in. = SDR 21. 200 PSI: 1-1/4 in. and greater = SDR 26, 160 PSI. All solvent weld.  
All end of the line unmarked pipe = 1 in. (min).  
Sleeves and suction Line: PVC, SCH 40.  
Fittings: SCH 40 PVC  
Fabrication: To manufacturers specifications. Use blue or gray PVC cement, square cut, clean and prime all joints.  
Allow all main lines to cure for 24 hours before pressuring.  
All pipe, fittings, and solvents to conform to latest ASTM specs.  
Depth of Lines: Main Line and wiring = 18 in. depth, min. Slewing under pavement = 24 in. depth, min. Suction Line = 24 in. depth, nominal. Zone Lines 1-1/2 in. and smaller = 10 in. depth, min.  
Control Wires: AWG 14 for all hot wires and AWG 12 for common. Solid copper type UL listed for direct burial. Run wires under main and tape every 20 feet. Run spares, two min. Splice wires only in a valve box. All splices shall be moisture proof using Snap lite or DBY UL connectors. Common shall be white, hot shall be red or color coded. Spare shall be black. Run in conduit where no Main line runs.  
Backfill all trenches free of debris, compact to original density, flush all lines, use screens in all heads, adjust heads for proper coverage avoiding excess water on walls, walks, etc.  
All details are graphically shown only. All quantities shall be verified by the contractor prior to installation. It shall be the contractors responsibility to assure complete overlapping coverage. Any discrepancies shall be reported to the owner and landscape architect before proceeding. Codes and local regulations shall take precedence over these plans, it is the contractors responsibility to comply. The landscape architect reserves the right to make minor field changes, the contractor may field adjust spray nozzle selection to provide for proper 100% min. coverage.  
Provide owner with an accurate as installed plan(s) at completion showing main lines, wiring, valves, crossings, etc. using dimensions from fixed dots.  
Contractor shall verify all underground utilities prior to commencement of work.  
The perimeter irrigation and landscape may be required to be installed prior to either or both pump stations and all main line / valve wiring. A separate plan showing modifications and alternate water source will be provided prior to construction. The modifications will not impact upon the design intent or substantially affect the construction plan.

**TONNING & ASSOCIATES, INC.**  
Landscape Architecture & Land Planning  
Landscape Architect - Florida License #6666709  
4855 NW 92 Terrace  
Coral Springs, Florida 33067  
Tel: 561-414-8269 Email: wtonning@tonningandassociates.com

DRWG. TITLE : IRRIGATION PLAN  
PROJECT : APARTMENT UNITS REMODEL  
238 SE 1st AVENUE  
DELRAY BEACH, FLORIDA 33444  
CLIENT : WHELCHEL PARTNERS

PROJECT NO. 23-141  
DRAWN BY WKT  
DESIGNED BY WKT  
CHECKED BY WKT  
DATE : 09-17-23  
DWG. NO. LI-1  
SHT. NO. 1 of 1  
REVISIONS :  
10-11-24  
11-06-24

SEAL

WAYNE K. TONNING, RLA #6666709