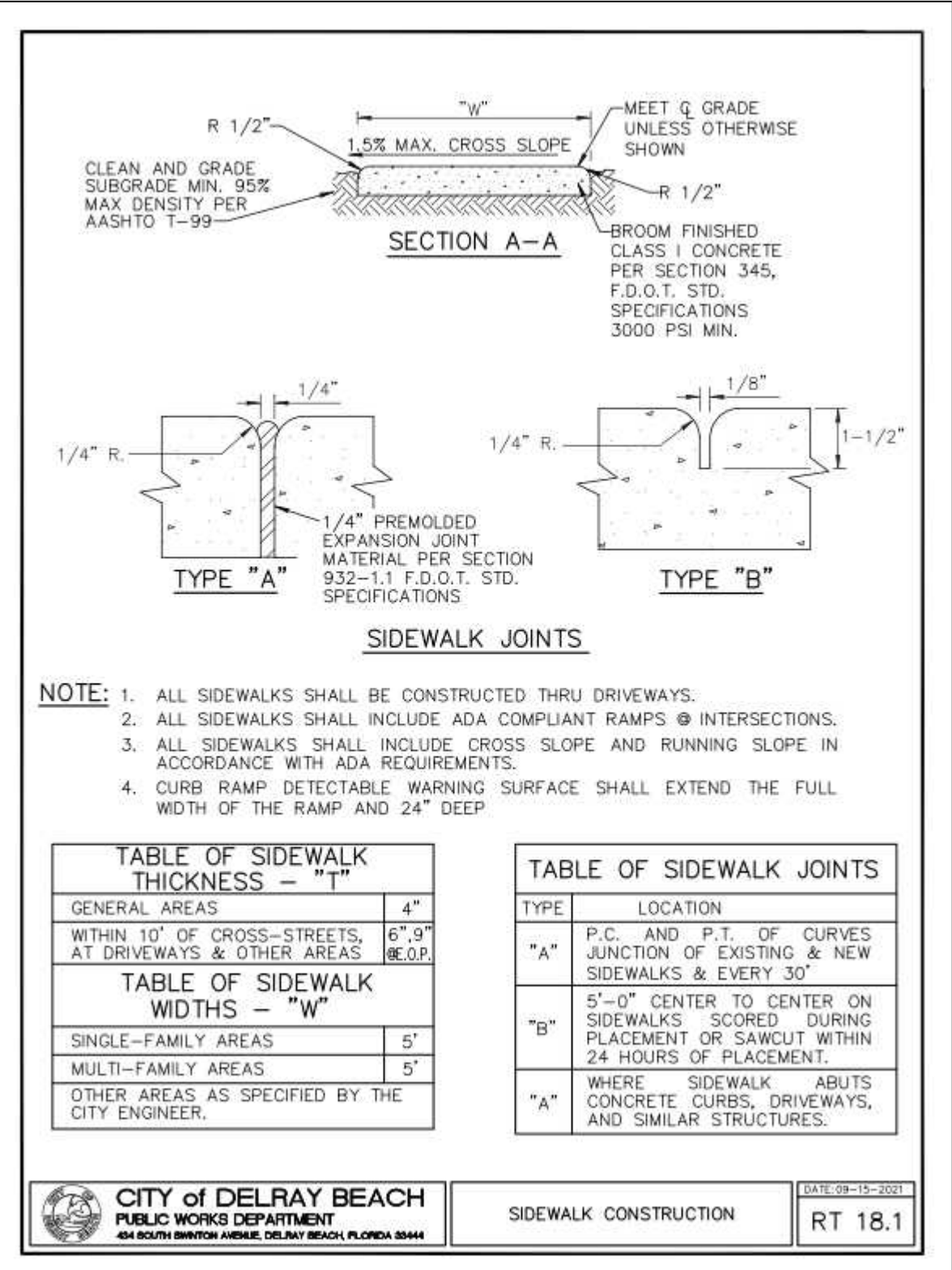
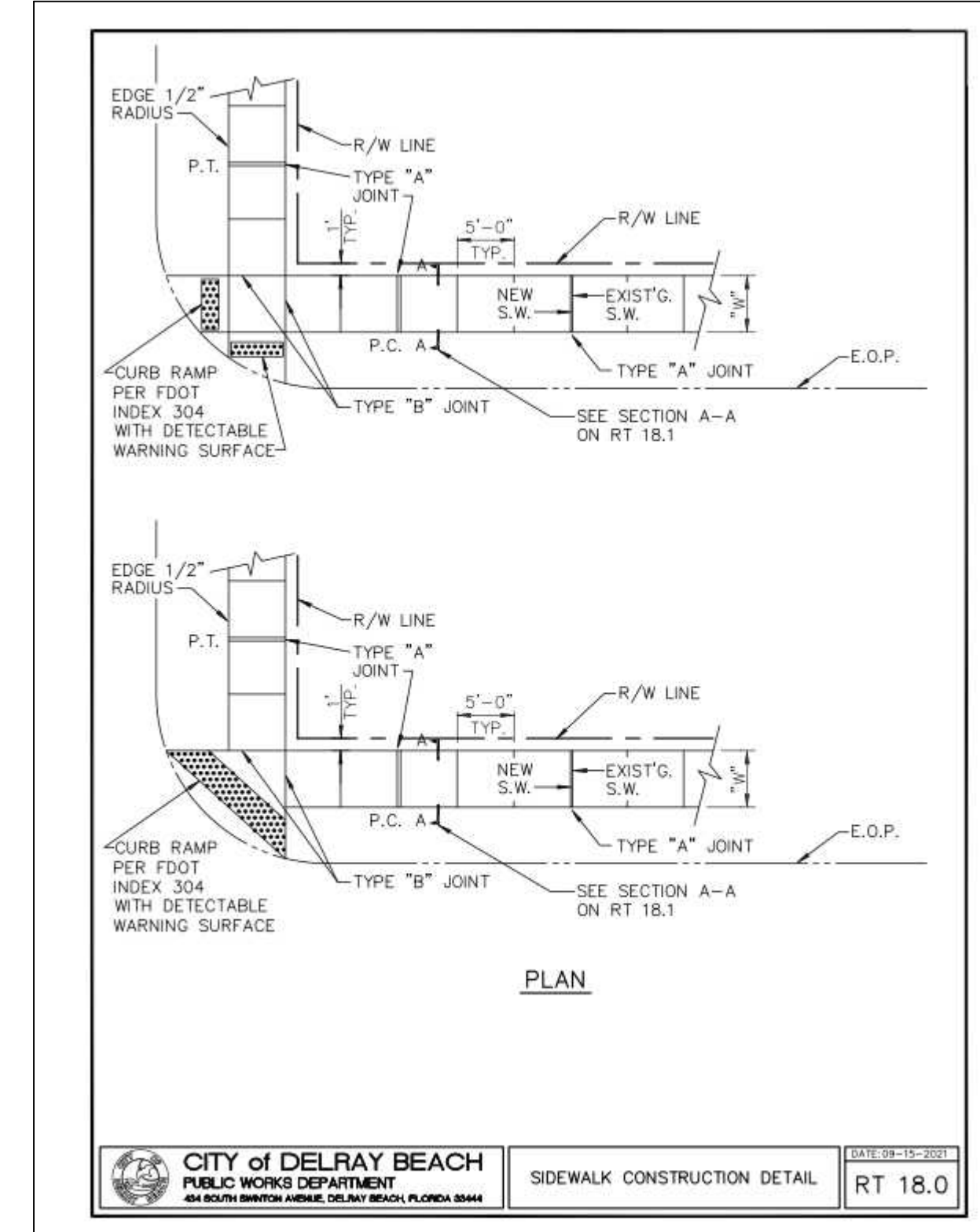


LOCATION MAP
N.T.S.

LEGEND:

- PROPERTY LINE
- SECTION IDENTIFIER
- PLAN PAGE
- DETAIL PAGE
- PROPOSED ELEVATION
- DIRECTION OF FLOW
- EXISTING ELEVATION
- DNOTES AREA OF PROPOSED PERMEABLE PAVERS
- DNOTES AREA PROPOSED 1" MILL & OVERLAY
- DNOTES AREA PROPOSED ASPHALT PAVING
- DNOTES AREA OF PROPOSED BRICK PAVER SIDEWALK BY OTHERS
- DNOTES AREA OF COVERED LOGGIA. SEE ARCHITECTURAL PLANS FOR DETAILS
- DNOTES AREA OF EXISTING PAVEMENT TRENCH REPAIR FOR UTILITY INSTALLATION -SEE DETAIL SHEET 2
- DNOTES AREA OF CONCRETE SIDEWALK SEE DETAILS SHEET 1
- PROPOSED CATCH BASIN
- DNOTES 24" PERF HDPE PIPE IN 12' WIDE X 6' DEEP ROCK TRENCH (BOTTOM EL= 6.5' NAVD)
- STRUCTURE TYPE-NUMBER
- RIM ELEVATION
- INVERT ELEVATION
- NYLO NYLOPLAST YARD DRAIN OR APPROVED EQUAL
- IL INLINE YARD DRAIN
- HDPE HIGH-DENSITY POLYETHYLENE PIPE
- PROPOSED WATER METER
- PROPOSED WATER METER WITH BACKFLOW PREVENTER
- PROPOSED FIRE HYDRANT
- PROPOSED GATE VALVE
- EXISTING GATE VALVE
- EXISTING MANHOLE
- SANITARY SEWER CLEANOUT
- SINGLE SANITARY SERVICE WITH CLEANOUT
- EXISTING MANHOLE
- RIM ELEVATION
- INV EL & DIRECTION
- INV EL & DIRECTION

NOTE: 4" STUB OUT FOR FIRE SERVICE INSTALLED DURING CITY PROJECT. 2" WATER SERVICE, METER RELOCATION, AND PLUGGING OF EXISTING WATER SERVICE INSTALLED DURING CITY PROJECT.

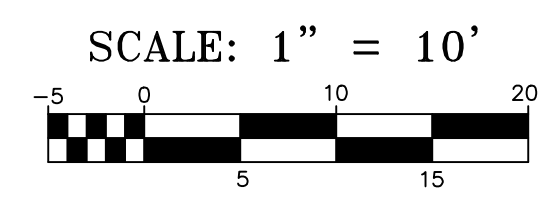


NOTE: ALL UTILITY SERVICES TO THE SITE AND INDIVIDUAL STRUCTURES ON THE SITE ARE TO BE PROVIDED VIA UNDERGROUND SERVICES.

NOTE: CONTRACTOR TO FIELD VERIFY EXACT LOCATION, SIZE, AND ELEVATION OF ALL IMPROVEMENTS AT TIME OF CONSTRUCTION AND REPORT ANY DISCREPANCIES TO ENVIRODESIGN ASSOCIATES, INC.



CALL 48 HOURS BEFORE YOU DIG.
IT'S THE LAW
1-800-432-4770
SUNSHINE STATE ONE CALL OF FLORIDA, INC.



© COPYRIGHT 2024 BY ENVIRODESIGN ASSOCIATES, INC. THIS DRAWING IS PROVIDED FOR INFORMATIONAL PURPOSES ONLY. UNLESS SIGNED AND SEALED BY A REGISTERED PROFESSIONAL ENGINEER REPRESENTING ENVIRODESIGN ASSOCIATES, INC.

NOT FOR CONSTRUCTION

CIVIL SITE IMPROVEMENTS PLAN FOR:
MIXED-USE DEVELOPMENT
314 NE 3RD AVENUE
DELRAY BEACH, FLORIDA

ENVIRODESIGN ASSOCIATES, INC.
www.envirodesign.com
ENGINEERS • ENVIRONMENTAL CONSULTANTS
FLORIDA CERTIFICATE OF AUTHORIZATION No. 6506
298 Pineapple Grove Way Delray Beach, Florida 33444
Phone: (561) 274-6500 Fax: (561) 274-6500

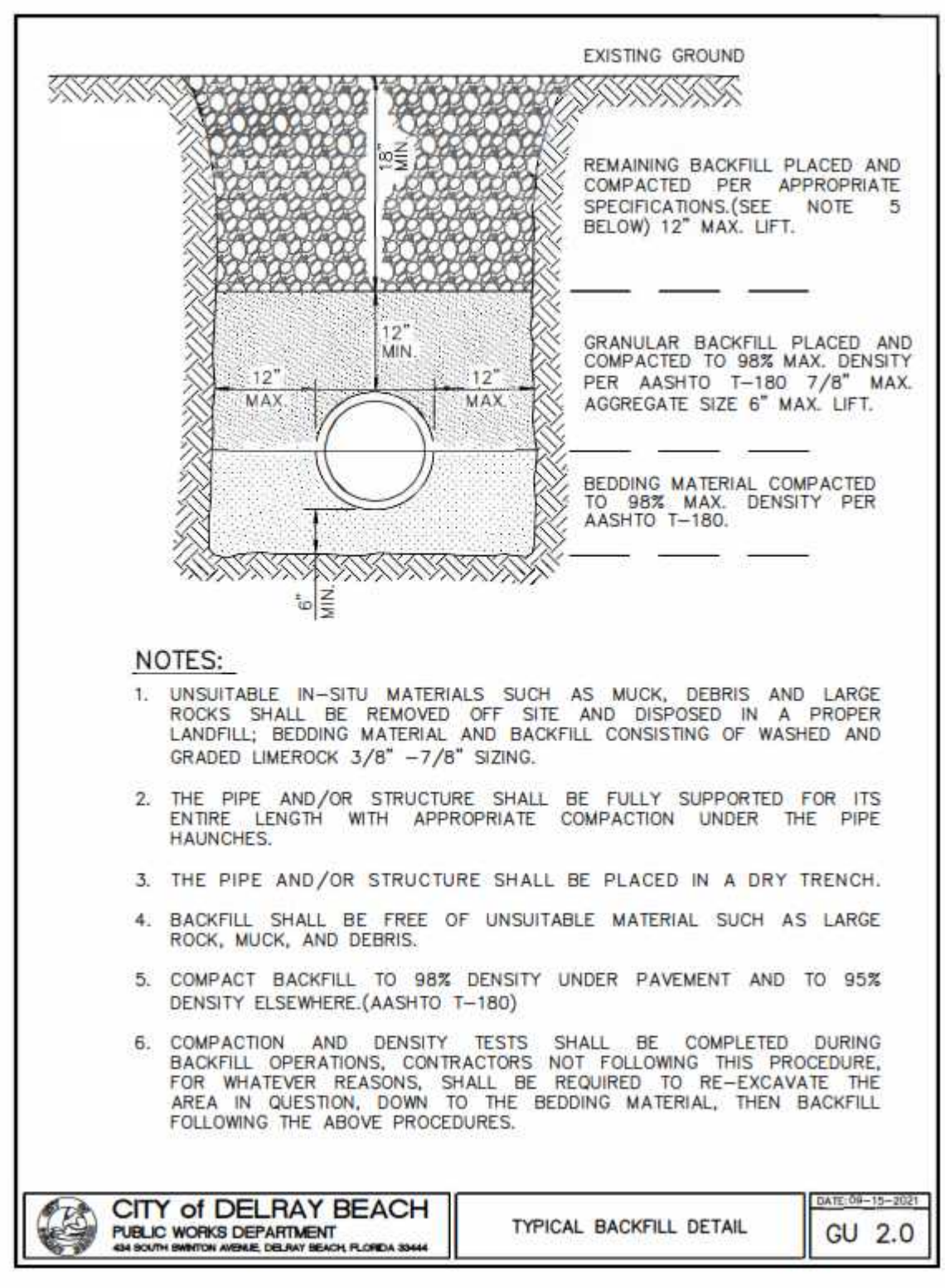
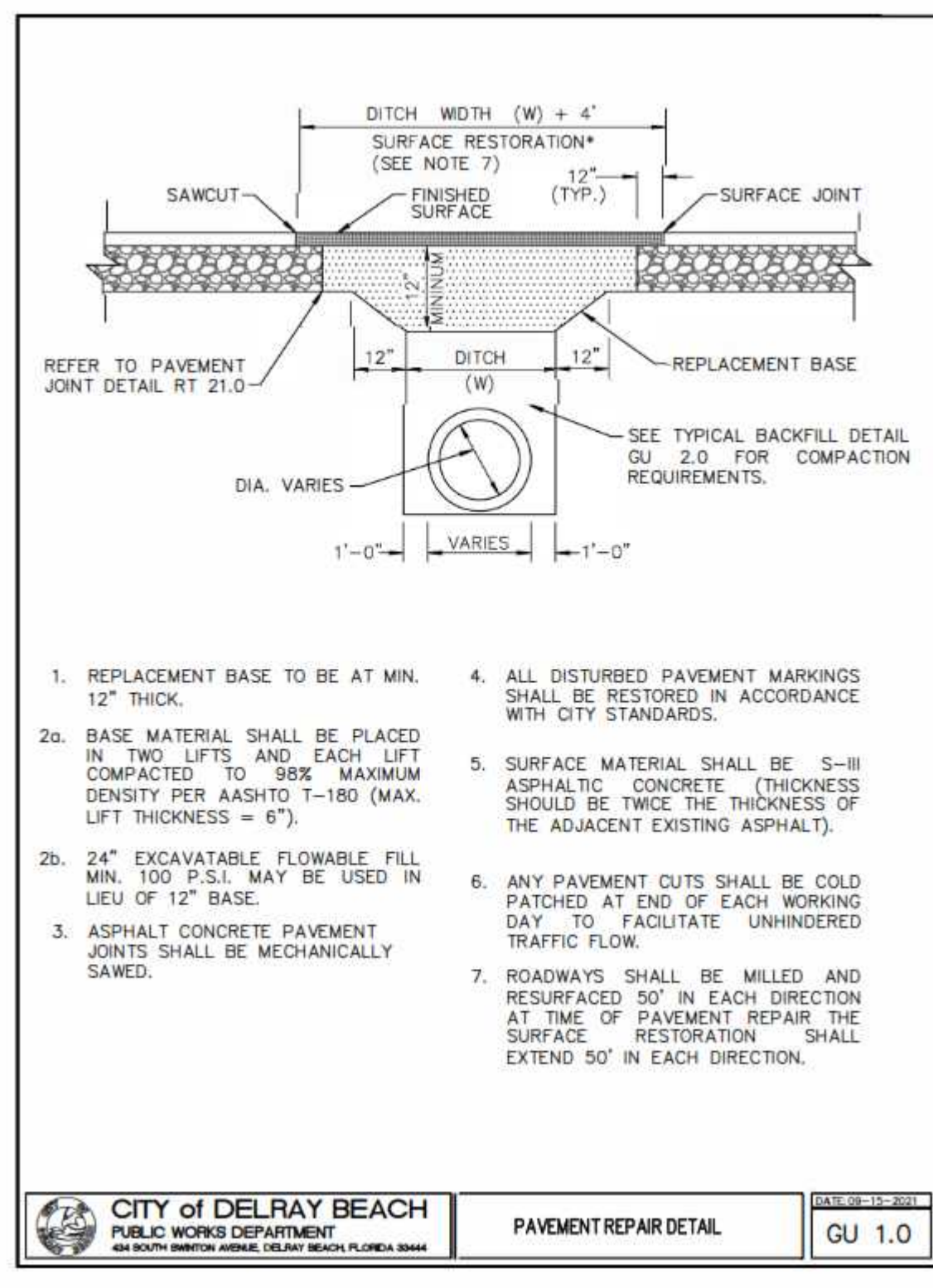
BY: BAB
DATE: 4/22/24
REVISIONS: REV 1 TAC COMMENTS

NOT VALID WITHOUT ENGINEER'S SEAL
JOSEPH A. PIKE, P.E.
FL REG # 42696

DRAWN: B.A.B.
CHECKED: J.A.P.
DATE: 06/25/24
JOB NO. 23035-ENG
SHEET NO. 1 OF 7

PAVING, GRADING AND DRAINAGE NOTES

- ALL PAVING AND DRAINAGE WORK IN THE PALM BEACH COUNTY (PBC) RIGHT-OF-WAY SHALL BE CONSTRUCTED IN FULL ACCORDANCE WITH THE PBC LATEST STANDARDS. ALL PAVING AND DRAINAGE WORK IN THE FLORIDA DEPARTMENT OF TRANSPORTATION (FDOT) RIGHT-OF-WAY SHALL BE CONSTRUCTED IN FULL ACCORDANCE WITH THE FDOT LATEST STANDARDS.
- COMPACTED SUBGRADE SHALL BE COMPACTED AND MEET THE DENSITY REQUIREMENTS AS DETERMINED BY THE AASHTO T-180 SPECIFICATIONS. SUBGRADE SHALL EXTEND 12 INCHES BEYOND THE PROPOSED EDGE OF PAVEMENT AND/OR 6" BEYOND VALLEY GUTTER, TYPE "F" CURB & GUTTER, OR TYPE "D" CURB. SUBGRADE SHALL BE 12 INCHES THICK COMPACTED TO 98% ACCORDING TO AASHTO T-180. ALL MUCK, STUMPS, ROOTS OR OTHER DELETERIOUS MATTER ENCOUNTERED IN THE PREPARATION OF THE SUBGRADE SHALL BE REMOVED COMPLETELY FROM THE CENTERLINE OF THE ROADWAY TO A WIDTH OF TEN FEET BEYOND THE EDGE OF PAVEMENT. IF SUBGRADE IS REQUIRED TO BE STABILIZED, THE REQUIRED BEARING VALUE DETERMINATIONS SHALL BE MADE BY THE FLORIDA BEARING TEST, TEST METHOD "C" OF AASHTO T-180 SPECIFICATIONS.
- SHELLROCK BASE SHALL BE CONSTRUCTED IN ACCORDANCE WITH SECTION 250 OF THE FLORIDA DEPARTMENT OF TRANSPORTATION STANDARD SPECIFICATIONS FOR ROAD AND BRIDGE CONSTRUCTION, LATEST EDITION. THE THICKNESS OF THE SHELLROCK BASE SHALL BE AS SHOWN ON THE DETAIL DRAWINGS AND SHALL BE COMPACTED TO A DENSITY OF 98% OF THE MAXIMUM DENSITY AS DETERMINED BY AASHTO T-180. THE SHELLROCK SHALL HAVE A MINIMUM OF 40% CARBONATES OF CALCIUM AND MAGNESIUM IN THE MATERIAL.
- LIMEROCK BASE SHALL BE CONSTRUCTED IN ACCORDANCE WITH SECTION 200 OF THE FDOT STANDARD SPECIFICATIONS FOR ROAD AND BRIDGE CONSTRUCTION, LATEST EDITION. THE THICKNESS OF THE LIMEROCK BASE SHALL BE AS SHOWN ON THE DETAILED DRAWINGS AND SHALL BE COMPACTED TO A DENSITY OF 98% OF THE MAXIMUM DENSITY AS DETERMINED BY AASHTO T-180.
- MUCK AND PEAT - IF MUCK AND/OR PEAT ARE ENCOUNTERED IN THE ROAD OR PARKING AREA, THEY WILL BE REMOVED COMPLETELY TO A WIDTH OF TEN FEET BEYOND THE EDGE OF PAVEMENT AND SHALL BE BACKFILLED WITH GRANULAR MATERIAL. IF HAROPAN IS ENCOUNTERED IN THE SWALE AREA, IT WILL BE REMOVED TO A WIDTH OF TWO FEET AT THE SWALE INVERT AND REPLACED WITH GRANULAR MATERIAL.
- WHERE SOD IS DESIRED, LOWER THE GRADE 2 INCHES BELOW THE FINISHED GRADE TO ALLOW FOR THE THICKNESS OF THE SOD.
- CLEARING AND GRUBBING - WITHIN THE LIMITS OF CONSTRUCTION ALL VEGETATION AND ROOT MATERIAL SHALL BE REMOVED.
- GUMBO - WHERE GUMBO OR OTHER PLASTIC CLAYS ARE ENCOUNTERED, THEY SHALL BE REMOVED WITHIN THE ROADWAY AND PARKING AREAS ONE FOOT BELOW THE SUBGRADE EXTENDING HORIZONTALLY TO THE OUTSIDE EDGE OF THE SHOULDER AREA.
- PRIME COAT SHALL BE IN ACCORDANCE WITH SECTION 300 OF THE FDOT STANDARD SPECIFICATION FOR ROAD AND BRIDGE CONSTRUCTION, LATEST EDITION. PRIME COAT SHALL BE RC-70 OR ASPHALT EMULSION PRIME (AEP). PRIME COAT SHALL BE APPLIED AT A RATE OF APPLICATION NOT LESS THAN 0.10 GALLONS PER SQUARE YARD FOR LIMEROCK BASES AND NOT LESS THAN 0.15 GALLONS PER SQUARE YARD FOR SHELL ROCK OR COQUINA SHELL BASES.
- TACK COAT - BITUMINOUS TACK COAT SHALL CONFORM WITH THE REQUIREMENTS OF THE FDOT SPECIFICATIONS, LATEST EDITION AND SHALL BE APPLIED AT THE RATE OF 0.08 GALLONS PER SQUARE YARD, UNLESS A VARIATION IS APPROVED BY THE ENGINEER.
- ASPHALTIC CONCRETE SURFACE COURSE SHALL BE IN ACCORDANCE WITH SECTION 334 OF THE FDOT STANDARD SPECIFICATIONS FOR ROAD AND BRIDGE CONSTRUCTION, LATEST EDITION. THE THICKNESS OF THE SURFACE COURSE SHALL BE AS SHOWN ON THE DETAILED DRAWINGS.
- ALL CONCRETE SHALL DEVELOP 2500 p.s.i. (MINIMUM) 28 DAY COMPRESSIVE STRENGTH OR GREATER WHERE NOTED ON PLANS. CLASS I CONCRETE SHALL CONFORM WITH THE FDOT SPECIFICATIONS, LATEST EDITION. CLASS I CONCRETE USED AS PAVING SHALL DEVELOP 3000 p.s.i. (MINIMUM) 28 DAYS COMPRESSIVE STRENGTH.
- PAVEMENT TRAFFIC STRIPES AND MARKINGS SHALL BE IN ACCORDANCE WITH CITY OF DELRAY BEACH CURRENT STANDARDS AND/OR MANUAL ON UNIFORM TRAFFIC CONTROL DEVICES FOR STREETS AND HIGHWAYS, AND/OR PALM BEACH COUNTY TRAFFIC DEPARTMENT TYPICAL T-P-17, WHERE APPLICABLE.
- SEQUENCE OF CONSTRUCTION - THE SEQUENCE OF CONSTRUCTION SHALL BE SUCH THAT ALL UNDERGROUND INSTALLATIONS OF EVERY KIND THAT ARE BENEATH THE PAVEMENT, SHALL BE IN PLACE AND HAVE PROPER DENSITY PRIOR TO THE CONSTRUCTION AND COMPACTION OF THE SUBGRADE.
- INLETS AND MANHOLES - ALL INLETS AND MANHOLES SHALL BE CONSTRUCTED IN ACCORDANCE WITH THE FDOT SPECIFICATIONS, LATEST EDITION, AND ROADWAY AND TRAFFIC DESIGN STANDARDS, LATEST EDITION, AND PBC STANDARDS LATEST EDITION, WHERE APPLICABLE.
- GRATE ELEVATIONS REFER TO THE FLOWLINE OF THE GRATE.
- GRADES SHOWN ARE FINISHED GRADES.
- EXISTING AVERAGE ROAD CROWN ELEVATION = 14.28' N.A.V.D.
- REINFORCED CONCRETE PIPE - THE PIPE SHALL CONFORM WITH THE REQUIREMENTS OF CLASS III OF ASTM C-76 AND WITH THE FDOT SPECIFICATIONS, LATEST EDITION. THE FIRST JOINT OF PIPE ENTERING OR LEAVING A MANHOLE OR INLET SHALL BE WRAPPED WITH FILTER FABRIC PER FDOT SPECIFICATIONS.
- CORRUGATED ALUMINUM PIPE SHALL MEET THE REQUIREMENTS OF AASHTO M196 AND SECTIONS 125, 430 AND 943 OF THE FDOT STANDARD SPECIFICATIONS FOR ROAD AND BRIDGE CONSTRUCTION, LATEST EDITION.
- MEASUREMENT OF THE LENGTH OF PIPE SHALL BE FROM THE CENTER OF THE STRUCTURE TO THE CENTER OF THE STRUCTURE.
- PIPE BACKFILL - REQUIREMENTS FOR PIPE BACKFILL CROSSING ROADS OR PARKING AREAS SHALL BE DEFINED IN THE FDOT SPECIFICATIONS, LATEST EDITION. PIPELINE BACKFILL SHALL BE PLACED IN SIX INCH LIFTS AND COMPACTED TO 100% OF THE STANDARD PROCTOR (AASHTO) T-99 SPECIFICATIONS.
- THE CONTRACTOR SHALL SUBMIT TO THE ENGINEER THREE (3) CERTIFIED COPIES OF A CHEMICAL AND SIEVE ANALYSIS OF THE SHELL ROCK BY A STATE OF FLORIDA CERTIFIED LAB WHEN CONSTRUCTING A SHELL ROCK BASE FOR ROADWAY.
- PRIOR TO CERTIFICATION OF THE DRAINAGE SYSTEM, THE CONTRACTOR MUST PUMP DOWN AND LAMP THE DRAINAGE SYSTEM FOR INSPECTION BY THE ENGINEER AFTER FINISHED ROCK FOR THE ROADWAYS HAS BEEN INSTALLED.



CITY OF DELRAY BEACH GENERAL NOTES

- DEFINITIONS
- CITY - THE CITY OF DELRAY BEACH
 - CONTRACTOR - UTILITY CONTRACTOR AND ALL UTILITY SUBCONTRACTORS
 - ENGINEER - ENGINEER RESPONSIBLE FOR INSPECTION AND CERTIFICATION
- PROCEDURE
- A PRE-CONSTRUCTION MEETING IS TO BE HELD PRIOR TO DELIVERY OF MATERIALS AND INITIATION OF ANY WATER AND SEWER CONSTRUCTION. THE MEETING SHALL BE ATTENDED BY THE CITY, CONTRACTOR, SUBCONTRACTORS, ENGINEER AND OTHER INTERESTED PARTIES.
 - ANY REVISIONS TO THE APPROVED PLANS MUST BE APPROVED BY THE CITY PRIOR TO THE PRE-CONSTRUCTION MEETING.
 - A MINIMUM OF THREE (3) COPIES OF THE CURRENT APPROVED PRODUCT LIST AND ALL NECESSARY SHOP DRAWINGS SHALL BE SUBMITTED FOR APPROVAL PRIOR TO SCHEDULING THE PRE-CONSTRUCTION MEETING. ALL PIPE MANUFACTURERS SHALL SUBMIT THREE (3) COPIES OF AN AFFIDAVIT THAT THE PIPE AND COATINGS WERE MANUFACTURED IN ACCORDANCE WITH AWWA C151/A21.51-91.
 - ALL APPLICABLE PERMITS MUST BE OBTAINED WITH COPIES PROVIDED TO THE CITY PRIOR TO COMMENCEMENT OF CONSTRUCTION.
 - THE CONTRACTOR SHALL MAINTAIN A CURRENT APPROVED SET OF CONSTRUCTION DOCUMENTS ON SITE AT ALL TIMES.
 - ALL MATERIALS SUPPLIED SHALL CONFORM TO PRODUCT LIST AND SHOP DRAWINGS AS APPROVED BY THE CITY PRIOR TO CONSTRUCTION. ALL REQUESTS FOR MATERIAL SUBSTITUTION SHALL BE APPROVED PRIOR TO DELIVERY OF THESE MATERIALS TO THE JOB SITE.
 - THE LOCATION OF THE EXISTING UTILITIES AS SHOWN ON THE PLANS ARE APPROXIMATE ONLY. THE EXACT LOCATIONS SHALL BE DETERMINED BY THE CONTRACTOR PRIOR TO CONSTRUCTION. IN ADDITION, THE CONTRACTOR SHALL BE RESPONSIBLE TO VERIFY IF OTHER UTILITIES (NOT SHOWN ON THE PLANS) EXIST WITHIN THE AREA OF CONSTRUCTION. SHOULD THERE BE UTILITY CONFLICTS, THE CONTRACTOR SHALL INFORM THE CITY AND NOTIFY THE RESPECTIVE UTILITY OWNER TO RESOLVE THE UTILITY CONFLICTS AND THE UTILITY ADJUSTMENTS AS REQUIRED.
 - THE CONTRACTOR SHALL BE RESPONSIBLE AT ALL TIMES THROUGHOUT THE DURATION OF CONSTRUCTION FOR THE PROTECTION OF EXISTING AND NEWLY INSTALLED UTILITIES FROM DAMAGE OR DISRUPTION OF SERVICE. THE CONTRACTOR SHALL BE RESPONSIBLE FOR TAKING SUCH MEASURES AS NECESSARY TO PROTECT THE HEALTH, SAFETY, AND WELFARE OF THOSE PERSONS HAVING ACCESS TO THE WORK SITE.
 - THE CONTRACTOR SHALL BE RESPONSIBLE FOR OBTAINING LOCATIONS OF ALL OTHER UTILITY FACILITIES.
 - THE CONTRACTOR SHALL SCHEDULE INSPECTIONS AND TESTS WITH THE CITY A MINIMUM OF 24 HOURS IN ADVANCE.
 - CONTRACTOR SHALL NOT DISTURB EXISTING CITY MAINS OR STRUCTURES WITHOUT THE PRESENCE OF A CITY INSPECTOR. CITY UTILITY SYSTEM VALVES AND APPURTENANCES MAY ONLY BE OPERATED BY CITY PERSONNEL.
 - FACILITIES PROPOSED HEREIN SHALL BE CONSTRUCTED IN ACCORDANCE WITH THE APPROVED PLANS. DEVIATIONS FROM THE APPROVED PLANS MUST BE APPROVED IN ADVANCE BY THE CITY.
 - UPON COMPLETION OF CONSTRUCTION AND PRIOR TO FINAL ACCEPTANCE OF THE WORK, A FINAL INSPECTION SHALL VERIFY PROPER ADHERENCE TO ALL FACETS OF THE PLANS AND SPECIFICATIONS.
 - PAVING, DRAINAGE AND TRAFFIC CONSTRUCTION SHALL CONFORM TO FLORIDA DEPARTMENT OF TRANSPORTATION ROADWAY AND DESIGN STANDARDS, STANDARD SPECIFICATIONS FOR ROAD AND BRIDGE CONSTRUCTION, MANUAL ON UNIFORM TRAFFIC CONTROL DEVICES (MUTCD) AND PALM BEACH COUNTY TYPICAL T-P-17 (LATEST REVISION) UNLESS SHOWN OTHERWISE.
 - AS-BUILT DRAWINGS SHALL BE PREPARED BY A REGISTERED LAND SURVEYOR, REGISTERED IN THE STATE OF FLORIDA, AND SUBMITTED BY THE CONTRACTOR TO THE CITY.
 - PRIOR TO COMMENCEMENT OF ANY EXCAVATION, THE CONTRACTOR SHALL COMPLY WITH FLORIDA STATUTE 553-851 FOR PROTECTION OF UNDERGROUND GAS PIPE LINES.
 - CONTRACTOR SHALL NOTIFY SUNSHINE STATE ONE (1-800-432-4770) 48 HOURS IN ADVANCE OF CONSTRUCTION.
 - GRADES SHOWN ON PLANS ARE FINISHED GRADES. THE CONTRACTOR SHALL BE REQUIRED TO ADJUST EXISTING SANITARY SEWER MANHOLE TOPS AND VALVE BOX COVERS TO FINISHED GRADE.
 - CONTRACTOR SHALL MAINTAIN LOCAL TRAFFIC AT ALL TIMES DURING CONSTRUCTION AND SHALL BE REQUIRED TO PROVIDE ALL BARRICADES, LIGHTING, SIGNAGE AND FLAGMEN AS NECESSARY TO
- PROVIDE FOR THE SAFETY OF THE PUBLIC IN THE WORK AREA. THE CONTRACTOR SHALL SUBMIT A DETAILED TRAFFIC MAINTENANCE PLAN PRIOR TO CONSTRUCTION.
- EXISTING BASE MATERIAL THAT IS REMOVED DURING CONSTRUCTION SHALL NOT BE USED IN THE CONSTRUCTION OF NEW LIMEROCK BASE.
 - ALL VEGETATION, DEBRIS, CONCRETE OR OTHER UNSUITABLE MATERIAL SHALL BE LEGALLY DISPOSED OF OFF-SITE IN AN AREA AT THE CONTRACTORS EXPENSE.
 - CONTRACTOR SHALL UTILIZE CONSTRUCTION METHODS AND DEVICES, SUCH AS TURBIDITY SCREENS, CURTAINS AND FLOATING SILT BARRIERS WHERE NECESSARY IN ORDER TO COMPLY WITH ALL STATE AND LOCAL WATER QUALITY STANDARDS.
 - ALL REINFORCED CONCRETE STORM SEWER PIPE SHALL BE CLASS III, UNLESS OTHERWISE NOTED.
 - ALL PAVED SURFACES SHALL BE PROPERLY MARKED PRIOR TO HOURS OF DARKNESS. PERMANENT PAVEMENT MARKING STALLS SHALL BE LAID OUT USING MARKING CHALK. LAYOUT TO BE REVIEWED BY THE CITY PRIOR TO PLACEMENT OF FINAL MARKING.
 - EMBANKMENT (FILL) AND EXCESS MATERIAL REQUIRED FOR ROADWAY RECONSTRUCTION AND UTILITY INSTALLATIONS SHALL BE SUPPLIED AND/OR DISPOSED OF BY THE CONTRACTOR. ALL COSTS ASSOCIATED WITH EARTHWORK REQUIREMENTS TO COMPLETE THE ROADWAY RECONSTRUCTION AND UTILITY IMPROVEMENTS SHALL BE INCLUDED IN THE COSTS OF OTHER APPROPRIATE PAY ITEMS.
 - CONTINUITY OF WATER AND SEWER SERVICE TO CITY UTILITY CUSTOMERS SHALL BE MAINTAINED THROUGHOUT THE DURATION OF THIS PROJECT. IF A BREAK IN SERVICE IS UNAVOIDABLE TO ACCOMMODATE CONNECTION OF NEW FACILITIES, IT SHALL BE SCHEDULED FOR OFF PEAK HOURS WITH THE CITY. DETERMINATION OF SERVICE BREAK REQUIREMENT WILL BE MADE BY THE CITY.
 - SITE INFORMATION BASED ON A SURVEY PREPARED BY: RENNER BURGESS, INC.
 - THE EXTENT OF ROAD CONSTRUCTION WORK TO BE COMPLETED BY THE CONTRACTOR, WITHIN THE RAILROAD RIGHT-OF-WAY SHALL BE DETERMINED BY THE CITY AND COORDINATED WITH THE FLORIDA EAST COAST RAILWAY COMPANY AT THE TIME OF CONSTRUCTION.
 - RELOCATION OF UTILITY POLES AND GAS PIPE LINES SHALL BE COORDINATED BY THE CONTRACTOR WITH FLORIDA POWER AND LIGHT, AND FLORIDA PUBLIC UTILITIES, RESPECTIVELY. EACH UTILITY HAS BEEN NOTIFIED THAT THEY WILL BE REQUIRED TO RELOCATE THEIR UTILITIES.
 - ALL CITY OF DELRAY BEACH STANDARD DETAILS INCLUDED IN THE CIVIL PLANS PREPARED BY ENVIRODESIGN ASSOCIATES, INC. HAVE NOT BEEN MODIFIED FROM THEIR ORIGINAL CONTENT.
 - CONTRACTOR TO FIELD VERIFY EXACT LOCATION, SIZE, AND DEPTH OF ALL EXISTING UTILITIES PRIOR TO CONSTRUCTION AND REPORT ANY DISCREPANCIES TO ENVIRODESIGN ASSOCIATES, INC.
 - NO PROPOSED IMPROVEMENTS, BUILDINGS OR ANY KIND OF CONSTRUCTION CAN BE PLACED ON OR WITHIN ANY WATER, SEWER OR DRAINAGE EASEMENTS, UNLESS APPROVED BY THE CITY OF DELRAY BEACH CITY ENGINEER.
 - NO PROPOSED STRUCTURES SHALL BE INSTALLED WITHIN A HORIZONTAL DISTANCE OF 10- FEET FROM ANY EXISTING OR PROPOSED WATER, SEWER OR DRAINAGE FACILITIES, UNLESS APPROVED BY THE CITY OF DELRAY BEACH CITY ENGINEER.
 - NOTE: ANY TREES OR SHRUBS PLACED WITHIN WATER, SEWER OR DRAINAGE EASEMENTS, THEY SHALL CONFORM TO THE CITY OF DELRAY BEACH STANDARD DETAILS; LD 1.0 & LD 2.0
 - ALL SIDEWALKS TO BE CONSTRUCTED IN ACCORDANCE WITH ADA REQUIREMENTS. ALL SIDEWALKS NOT TO EXCEED 1:48 GROSS-SLOPE AND 1:20 RUNNING SLOPES. ALL RAMPS NOT TO EXCEED 1:48 CROSS-SLOPE AND 1:12 RUNNING SLOPES WITH MAXIMUM RISE AND RUNS PER ADA REQUIREMENTS WITH RAILINGS WHERE NEEDED. LANDINGS WITH 1:48 CROSS- AND RUNNING-SLOPES ARE TO BE PROVIDED AT TOPS AND BOTTOMS OF ALL RAMPS.
 - CITY OF DELRAY BEACH UTILITY DIVISION MUST BE CONTACTED AT LEAST 48 HOURS PRIOR TO ANY SHUTDOWN AND/OR REMOVAL OF EXISTING WATER MAIN OR SANITARY SEWER LINES AT 561-243-7312.
 - THE EXISTING SANITARY SEWER LINE MUST BE TELEVIEWED PRIOR TO AND AFTER ANY SANITARY SEWER SERVICE CONNECTION, REMOVAL AND/OR ABANDONMENT.
 - UPON APPROVAL AND RECEIPT OF PERMIT, THE CONTRACTOR SHALL CONTACT THE CITY OF DELRAY BEACH DEPUTY DIRECTOR OF CONSTRUCTION AT 561-243-7320 TO SCHEDULE A PRECONSTRUCTION MEETING PRIOR TO STARTING ANY SITE WORK.
 - ALL WATER METER SIZES TO BE DETERMINED BY PLUMBING ENGINEERING OF RECORD AND SHALL BE CHECKED AND AUTHORIZED BY CITY OF DELRAY BEACH UTILITIES DIVISION.
 - ALL CITY OF DELRAY BEACH 2016 STANDARD DETAILS INCLUDED IN THIS SET OF PLANS AND DETAILS HAVE NOT BEEN MODIFIED FROM THEIR ORIGINAL CONTENT.

GENERAL NOTES

- CONTRACTOR SHALL PROTECT ALL PERMANENT REFERENCE MONUMENTS AND TAKE ALL PRECAUTIONS NECESSARY TO AVOID SURVEY MARKERS DURING CONSTRUCTION. CONTRACTOR SHALL BE RESPONSIBLE FOR REPLACEMENT OF PERMANENT REFERENCE MONUMENTS DISTURBED DURING CONSTRUCTION, AT NO ADDITIONAL COST TO THE OWNER.
- CONTRACTOR SHALL BE RESPONSIBLE FOR THE PROTECTION OF ALL EXISTING UNDERGROUND UTILITIES WHETHER OR NOT SHOWN ON THE PLANS. UTILITIES SHOWN ON THE PLANS ARE FOR REFERENCE ONLY AND MAY NOT DEPICT ACTUAL LOCATIONS. CONTRACTOR SHALL NOTIFY ALL UTILITY COMPANIES FOR LOCATION AND DEPTH OF THEIR LINES PRIOR TO CONSTRUCTION.
- CONTRACTOR SHALL BE RESPONSIBLE TO COORDINATE AND PAY FOR THE DEENERGIZING OF POWER LINES AND/OR HOLDING POWER POLES DURING CONSTRUCTION AT NO ADDITIONAL COST TO THE OWNER.
- CONTRACTOR SHALL BE RESPONSIBLE TO COORDINATE AND PAY FOR THE REPLACEMENT OF TRAFFIC LOOPS IF DAMAGED DURING CONSTRUCTION AT NO ADDITIONAL COST TO THE OWNER.
- ALL ELEVATIONS REFER TO N.A.V.D. 1988. MINIMUM FINISHED FLOOR ELEVATION FOR ANY RESIDENTIAL STRUCTURE SHALL BE SET AT OR ABOVE ELEVATION 15.33' (WHICH IS ABOVE THE 100-YEAR FREQUENCY STORM & AVERAGE CROWN OF ROAD + 18").
- SHOP DRAWINGS SHALL BE SUBMITTED TO THE ENGINEER FOR REVIEW PRIOR TO CONSTRUCTION OR INSTALLATION AS REQUIRED BY THE ENGINEER OR BY THE APPROPRIATE GOVERNING AGENCIES.
- CONTRACTOR SHALL BE RESPONSIBLE TO SECURE AND PAY FOR, AT NO ADDITIONAL COST TO THE OWNER, ALL NECESSARY PERMITS, FEES AND LICENSES.
- CONTRACTOR SHALL BE RESPONSIBLE FOR GIVING THE REQUIRED NOTICES AND COMPLYING WITH ALL PERMIT(S) CONDITIONS.
- CONTRACTOR SHALL BE RESPONSIBLE TO COORDINATE AND PAY FOR THE HOLDING OF OTHER UTILITY POLES DURING CONSTRUCTION AT NO ADDITIONAL COST TO THE OWNER.
- ALL CONCRETE SHALL DEVELOP 2500 p.s.i. (MINIMUM) 28 DAY COMPRESSIVE STRENGTH OR GREATER WHERE NOTED ON PLANS. CLASS I CONCRETE SHALL CONFORM WITH THE FDOT SPECIFICATIONS, LATEST EDITION. CLASS I CONCRETE USED AS PAVING SHALL DEVELOP 3000 p.s.i. (MINIMUM) 28 DAYS COMPRESSIVE STRENGTH.
- ALL UTILITY CONSTRUCTION SHALL BE IN ACCORDANCE WITH THE REQUIREMENTS OF THE LOCAL UTILITY.
- ENVIRODESIGN ASSOC. INC. SHALL NOT BE RESPONSIBLE FOR THE SAFETY OF THE WORKERS OR THE GENERAL PUBLIC. CONTRACTOR SHALL BE RESPONSIBLE FOR PROVIDING SAFETY TO THE WORKERS IN ACCORDANCE WITH OCCUPATIONAL SAFETY & HEALTH ADMINISTRATIONS (OSHA) REQUIREMENTS AND THE SAFETY OF THE GENERAL PUBLIC.
- ALL MATERIALS AND WORKMANSHIP MUST BE IN ACCORDANCE WITH THE LOCAL UTILITY STANDARDS AND SPECIFICATIONS.
- THE CONTRACTOR SHALL CALL SUNSHINE 1-800-432-4770 48 HOURS BEFORE DIGGING FOR FIELD LOCATIONS OF UNDERGROUND UTILITIES.
- CORRUGATED ALUMINUM PIPE USED BENEATH PAVEMENT SHALL BE IN CONFORMANCE WITH SEC. 8.24.E.5.1
- ALL CONSTRUCTION ACTIVITY, INCLUDING TRENCHING, IS TO BE A MINIMUM OF SIX FEET FROM THE BASE OF ANY TREE THAT IS DESIGNATED TO REMAIN.
- ALL LIMEROCK AND BASE MATERIALS SHALL BE REMOVED FROM THE PLANTER AREAS/ISLANDS AND REPLACED WITH APPROPRIATE PLANTING SOIL PRIOR TOT THE LANDSCAPING OF THE SITE.
- THE REMOVAL OF ANY TREE ON THE SITE IS PROHIBITED WITHOUT THE REQUIRED PERMITS.
- ALL MATERIALS AND CONSTRUCTION WITHIN THE FDOT RIGHT-OF-WAY SHALL CONFORM TO THE FDOT DESIGN STANDARDS FOR DESIGN, CONSTRUCTION, MAINTENANCE AND UTILITY OPERATIONS ON THE STATE HIGHWAY SYSTEM (LATEST ED.).
- LANE CLOSURES WITHIN THE FDOT RIGHT-OF-WAY SHALL BE LIMITED TO THE HOURS OF 9AM-3PM, MONDAY-FRIDAY EXCLUDING GOVERNMENTAL HOLIDAYS. MAINTENANCE OF TRAFFIC SHALL BE PROVIDED IN ACCORDANCE WITH INDEX 613 OF THE FDOT DESIGN STANDARDS (LATEST ED.)



Know what's below.
Call before you dig.

CALL 48 HOURS BEFORE YOU DIG.
IT'S THE LAW
1-800-432-4770
SUNSHINE STATE ONE CALL OF FLORIDA, INC.

© COPYRIGHT 2024 BY ENVIRODESIGN ASSOCIATES, INC.
THIS DRAWING IS PROVIDED FOR INFORMATIONAL PURPOSES ONLY.
UNLESS SIGNED AND SEALED BY A REGISTERED PROFESSIONAL
ENGINEER REPRESENTING ENVIRODESIGN ASSOCIATES, INC.

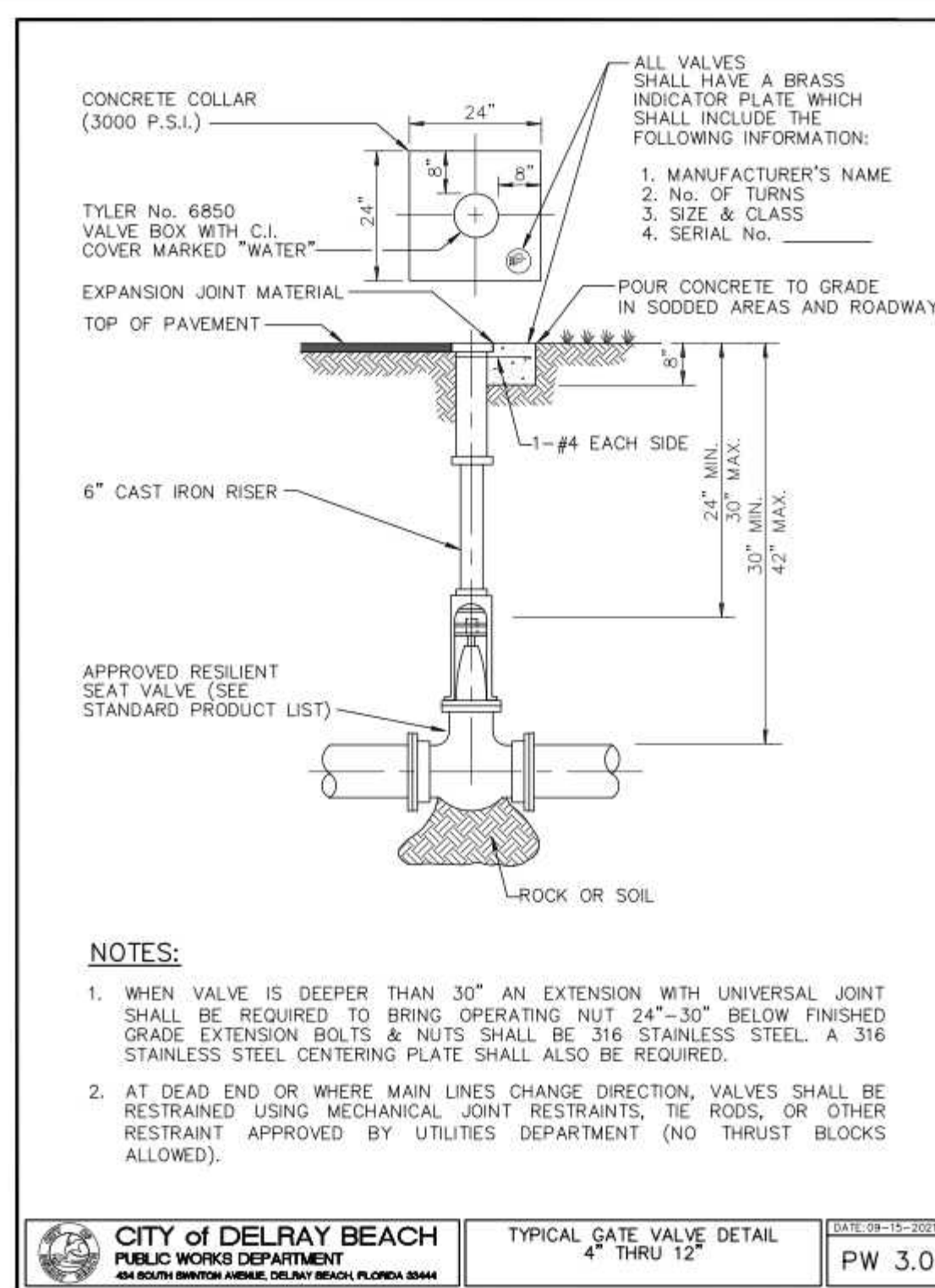
"NOT FOR CONSTRUCTION"

BY:	BAB
NO.	Δ
DATE:	4/22/24
REVISIONS:	REV 1 TAC COMMENTS
NOT VALID WITHOUT ENGINEER'S SEAL	
JOSEPH A. PIKE, P.E.	
FL REG # 42696	

GENERAL NOTES FOR:
MIXED-USE DEVELOPMENT
314 NE 3RD AVE
DELRAY BEACH, FLORIDA

ENVIRODESIGN ASSOCIATES, INC.
www.envirodesign.com
ENGINEERS • ENVIRONMENTAL CONSULTANTS
FLORIDA CERTIFICATE OF AUTHORIZATION No. 6506
1855 Dr. Andres Wey, Delray Beach, Florida 33445
Phone: (561) 274-6500 Fax: (561) 274-8558

DRAWN:
B.A.B.
CHECKED:
J.A.P.
DATE:
04/18/24
JOB NO.
23035-DTL
SHEET NO.
4 OF 7

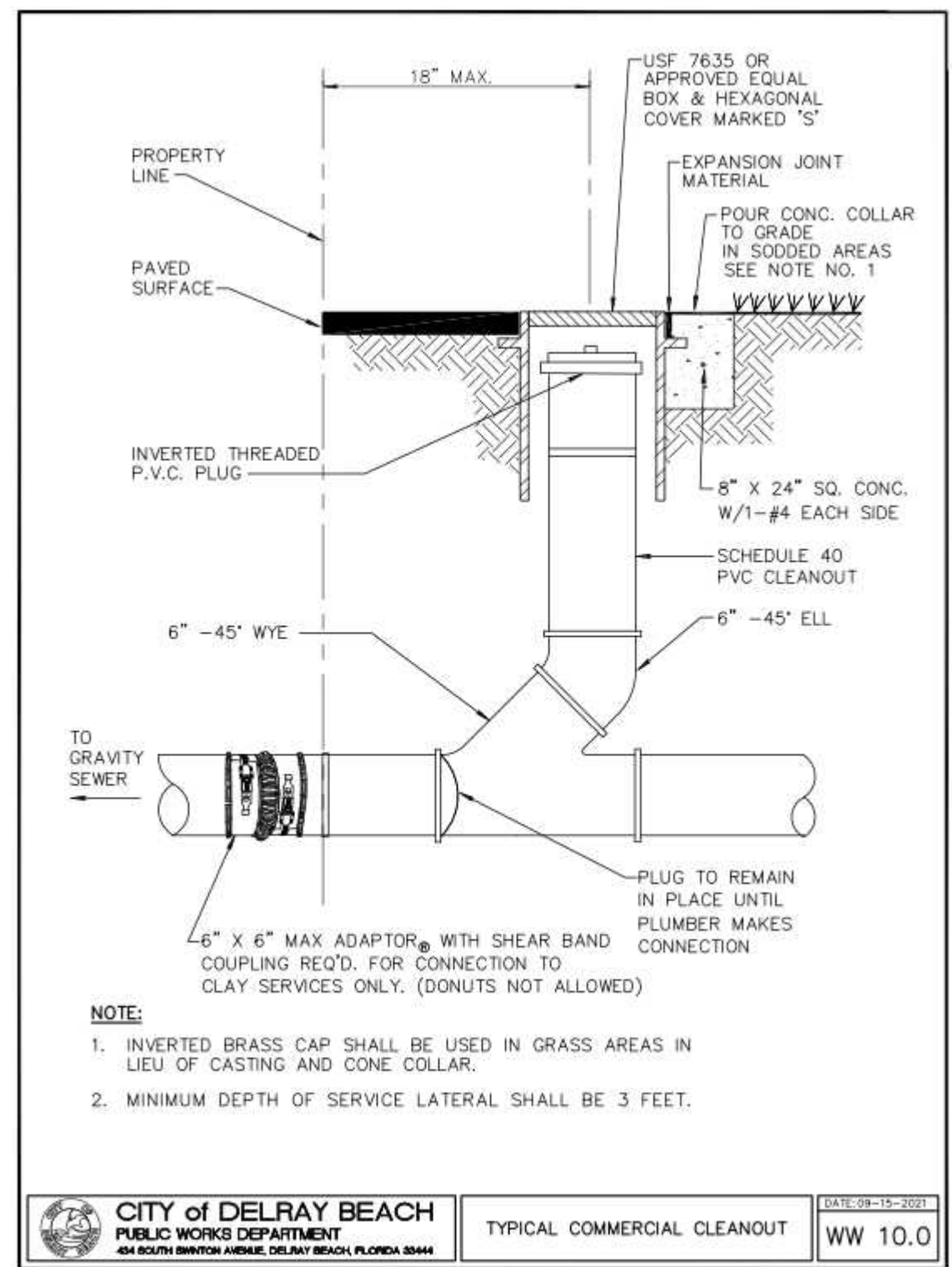
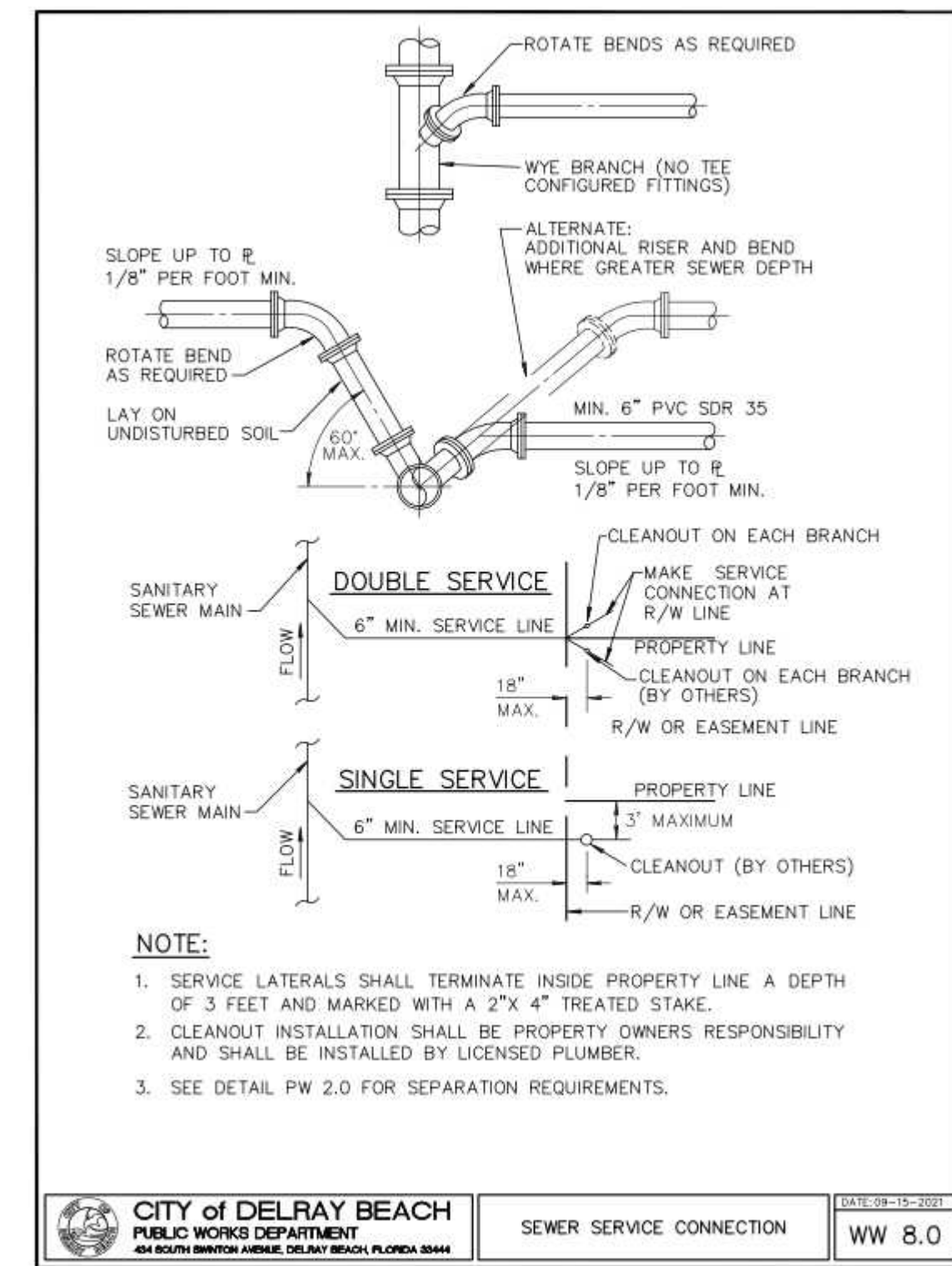
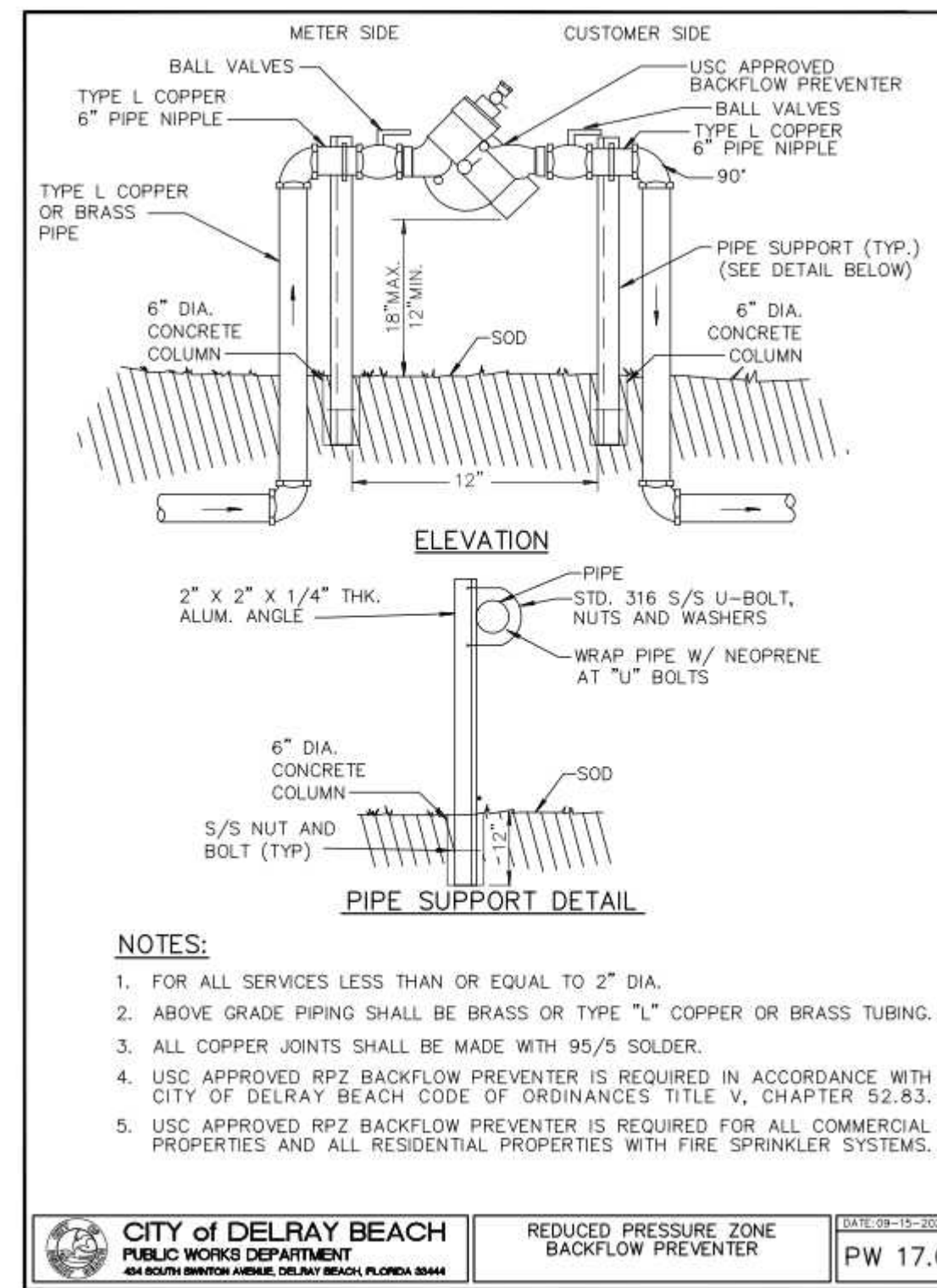
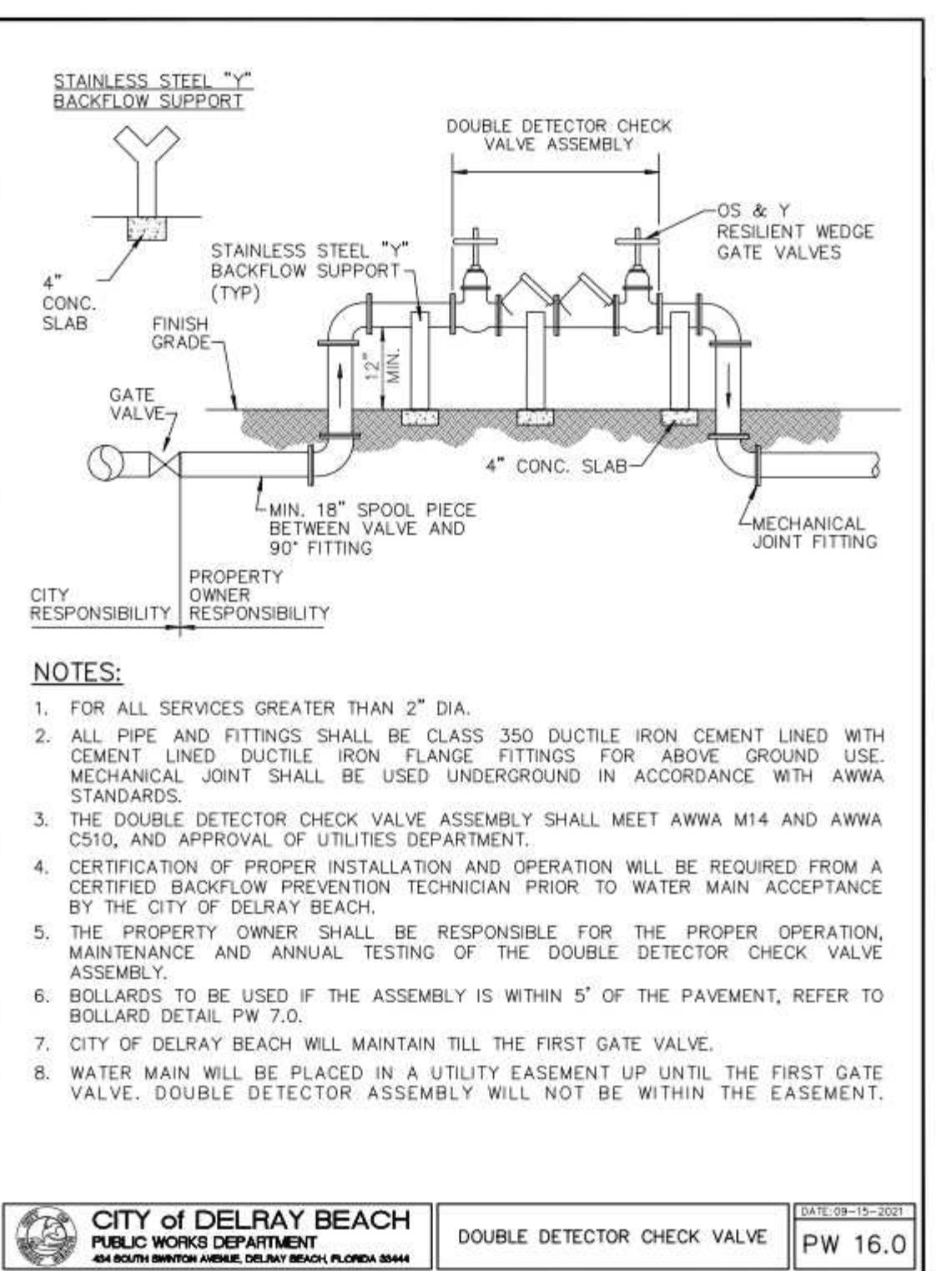
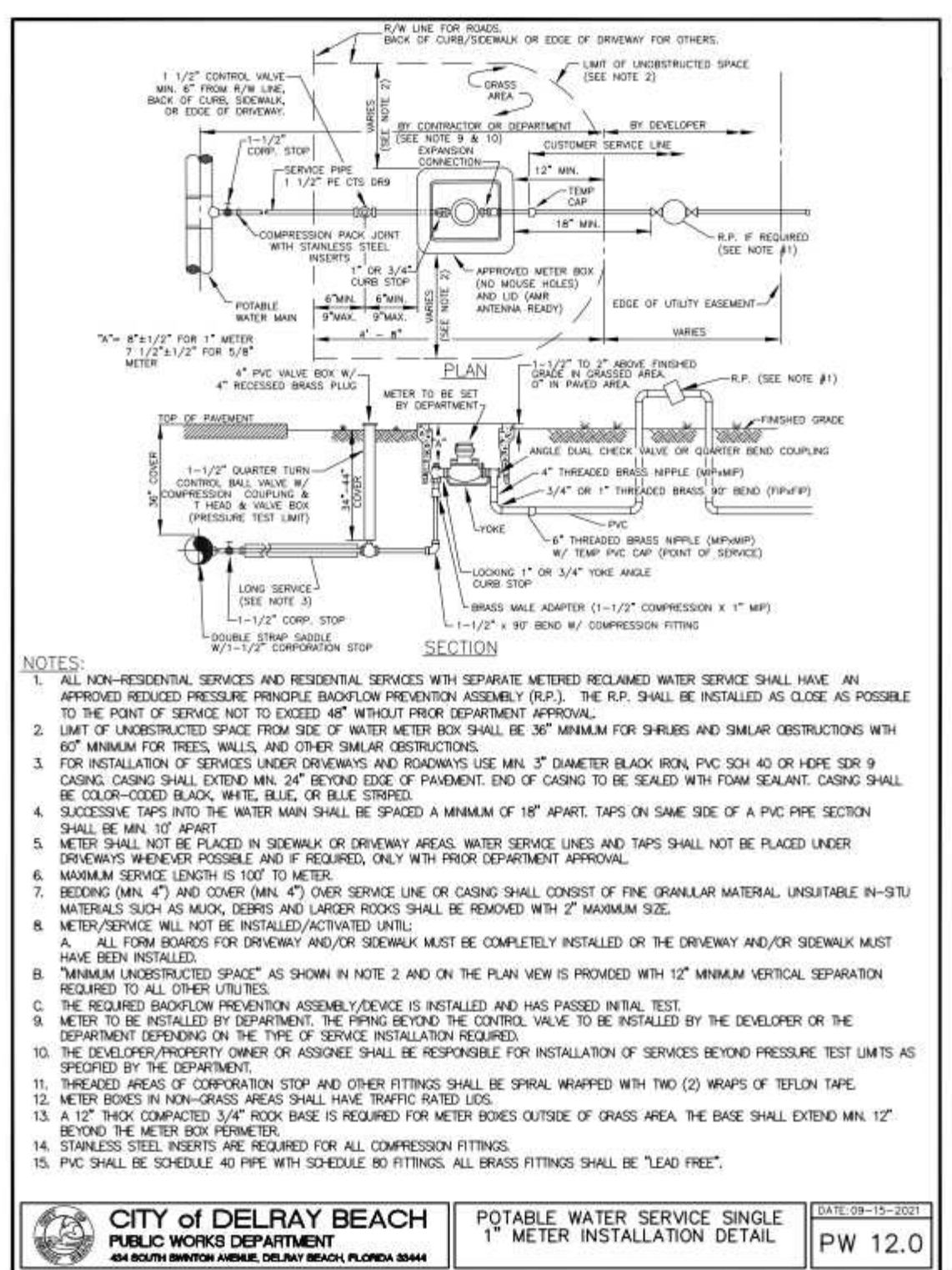


ITEM	BOX COMPLETE EXTENSION IN INCHES	WT.	LENGTH	WT.	LENGTH	WT.	PIECES PER PKG.
461-S	19-22	60	10	35	15	25	...
462-S	27-32	80	10	35	24	35	20
463-S	33-43	85	16	45	24	35	20
464-S	39-50	90	16	45	36	45	20
465-S	34-52	100	26	65	30	40	20
466-S	39-60	110	26	65	36	45	20
467-S	51-71	135	26	65	44	70	20
468-S	62-82	145	26	65	46	80	20

NOTE: LOCKING LIDS WILL NOT BE ACCEPTED.

CITY of DELRAY BEACH
PUBLIC WORKS DEPARTMENT
400 SOUTH BRANTON AVENUE, DELRAY BEACH, FLORIDA 33444

DATE: 09-15-2021
PW 4.0



"NOT FOR CONSTRUCTION"

WATER & WASTEWATER DETAILS FOR: MIXED-USE DEVELOPMENT
314 NE 3RD AVE
DELRAY BEACH, FLORIDA

EnviroDesign Associates Inc.
www.envirodesign.com
FLORIDA CERTIFICATE OF AUTHORIZATION No. 6506
1855 Dr. Andres Way, Delray Beach, Florida 33445
Phone: (561) 274-6500

ENGINEERS • ENVIRONMENTAL CONSULTANTS

BY: BAB

NO. 1

DATE: 4/22/24

REVISIONS: REV 1 TAC COMMENTS

NOT VALID WITHOUT ENGINEER'S SEAL

JOSEPH A. PIKE, P.E.
FL REG # 42696

DRAWN: B.A.B.

CHECKED: J.A.P.

DATE: 04/18/24

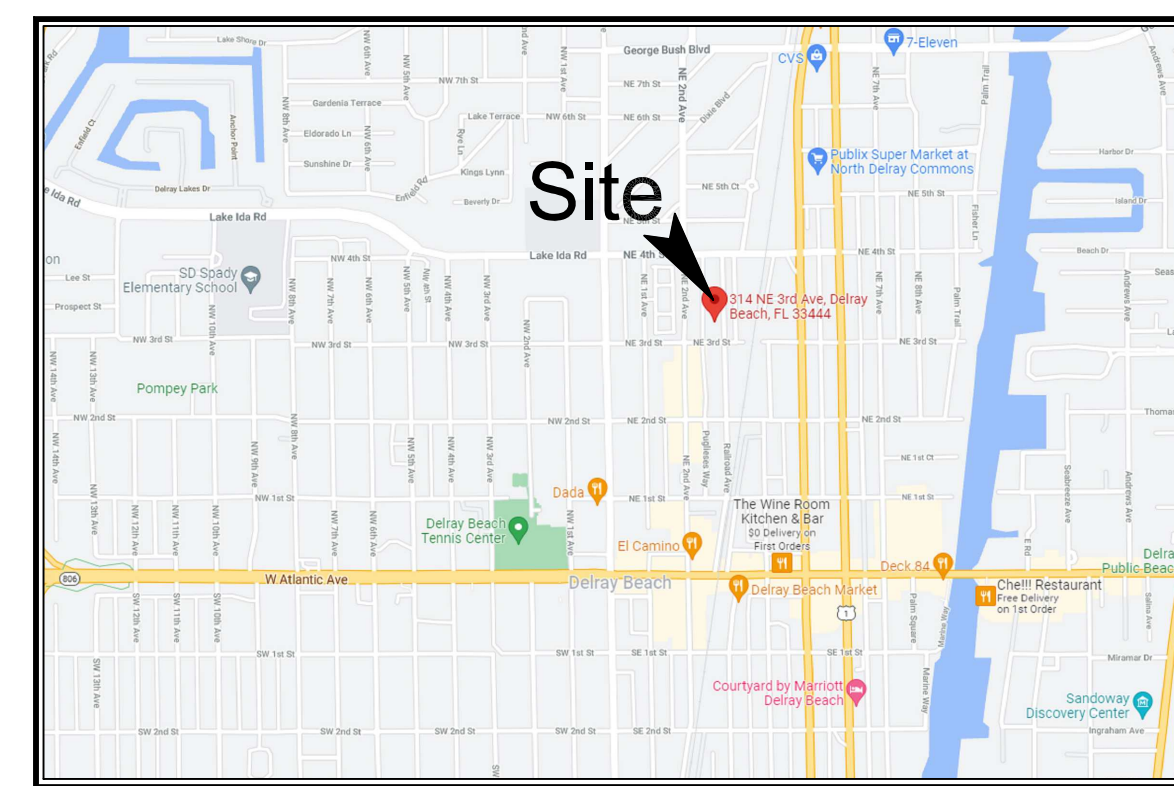
JOB NO. 23035-DTL

SHEET NO. 5 OF 7

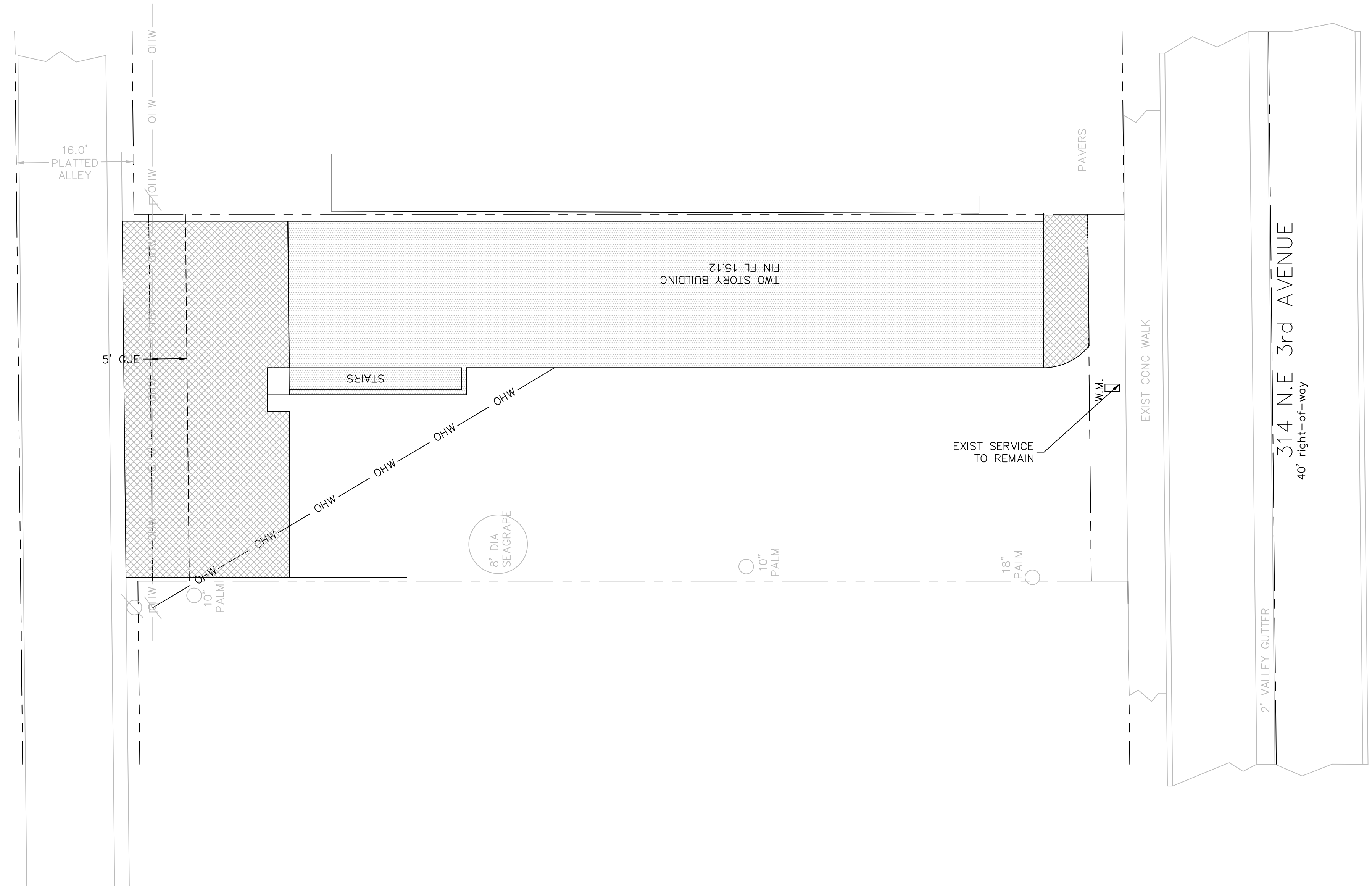
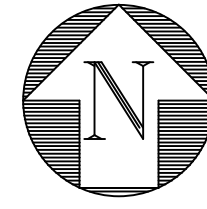


CALL 48 HOURS BEFORE YOU DIG.
IT'S THE LAW
1-800-432-4770
SUNSHINE STATE ONE CALL OF FLORIDA, INC.

© COPYRIGHT 2024 BY ENVIRODESIGN ASSOCIATES, INC. THIS DRAWING IS PROVIDED FOR INFORMATIONAL PURPOSES ONLY, UNLESS SIGNED AND SEALED BY A REGISTERED PROFESSIONAL ENGINEER REPRESENTING ENVIRODESIGN ASSOCIATES, INC.



LOCATION MAP
N.T.S.



- LEGEND:**
- PROPERTY LINE
 - DENOTES EXIST IMPROVEMENTS TO BE REMOVED
 - DENOTES EXIST STRUCTURES TO BE REMOVED

- DEMOLITION NOTES:**
1. THE CONTRACTOR SHALL COORDINATE THE REMOVAL OF ALL EXISTING ON-SITE UTILITIES WITH THE UTILITY PROVIDERS PRIOR TO REMOVAL OF ANY UTILITIES.
 2. THE CONTRACTOR SHALL REMOVE AND PROPERLY DISPOSE OF ALL EXISING ON-SITE IMPROVEMENTS IN ACCORDANCE WITH ALL APPLICABLE REGULATORY AGENCY REQUIREMENTS. NO DEBRIS SHALL BE BURIED ON-SITE.
 3. THE CONTRACTOR SHALL PLUG/CAP ALL EXISTING WATER AND SEWER SERVICES NOT TO REMAIN AT THE MAIN AND REMOVE ALL ABANDONED LINES.
 4. THE CONTRACTOR SHALL REMOVE AND PROPERLY DISPOSE OF ALL EXISTING PRIVATE DRAINAGE. NO EXISTING DRAINAGE SHALL REMAIN UNDERGROUND, INCLUDING, BUT NOT LIMITED TO, ANY EXISTING EXFILTRATION TRENCH, STORM PIPE, OR CATCH BASINS.
 5. THE CONTRACTOR SHALL REMOVE AND PROPERLY DISPOSE OF ALL EXISTING PAVEMENT AND BASE MATERIALS. EXISTING BASE MATERIALS MAY BE RECYCLED ON-SITE AS SUBGRADE STABILIZER BUT SHALL NOT BE REUTILIZED AS A PAVING BASE MATERIAL.
 6. THE CONTRACTOR SHALL OBTAIN ALL REQUIRED DEMOLITION PERMITS.
 7. THE CONTRACTOR SHALL PROVIDE DUST AND POLLUTION PREVENTION MEASURES PRIOR TO, AND MAINTAIN DURING, ANY DEMOLITION WORK. SEE DETAILS ON SHEET 10.
 8. TRENCH RESTORATION ASSOCIATED WITH DEMOLITION SHALL BE PERFORMED IN ACCORDANCE WITH THE TRENCH RESTORATION DETAILS INCLUDED ON SHEET 6.
 9. THE CONTRACTOR SHALL BE RESPONSIBLE TO ENSURE ANY CONTAMINATED SOILS, AS DESIGNATED BY OTHERS, ARE HANDLED AS REQUIRED BY REGULATORY AGENCIES. NO WORK SHALL BE PERFORMED IN THESE AREAS WITHOUT PRIOR APPROVAL FROM REGULATORY AGENCIES.

NOTE: CONTRACTOR TO FIELD VERIFY EXACT LOCATION, SIZE, AND ELEVATION OF ALL IMPROVEMENTS AT TIME OF CONSTRUCTION AND REPORT ANY DISCREPANCIES TO ENVIRODESIGN ASSOCIATES, INC.



CALL 48 HOURS BEFORE YOU DIG.
IT'S THE LAW
1-800-432-4770
SUNSHINE STATE ONE CALL OF FLORIDA, INC.

SCALE: 1" = 10'

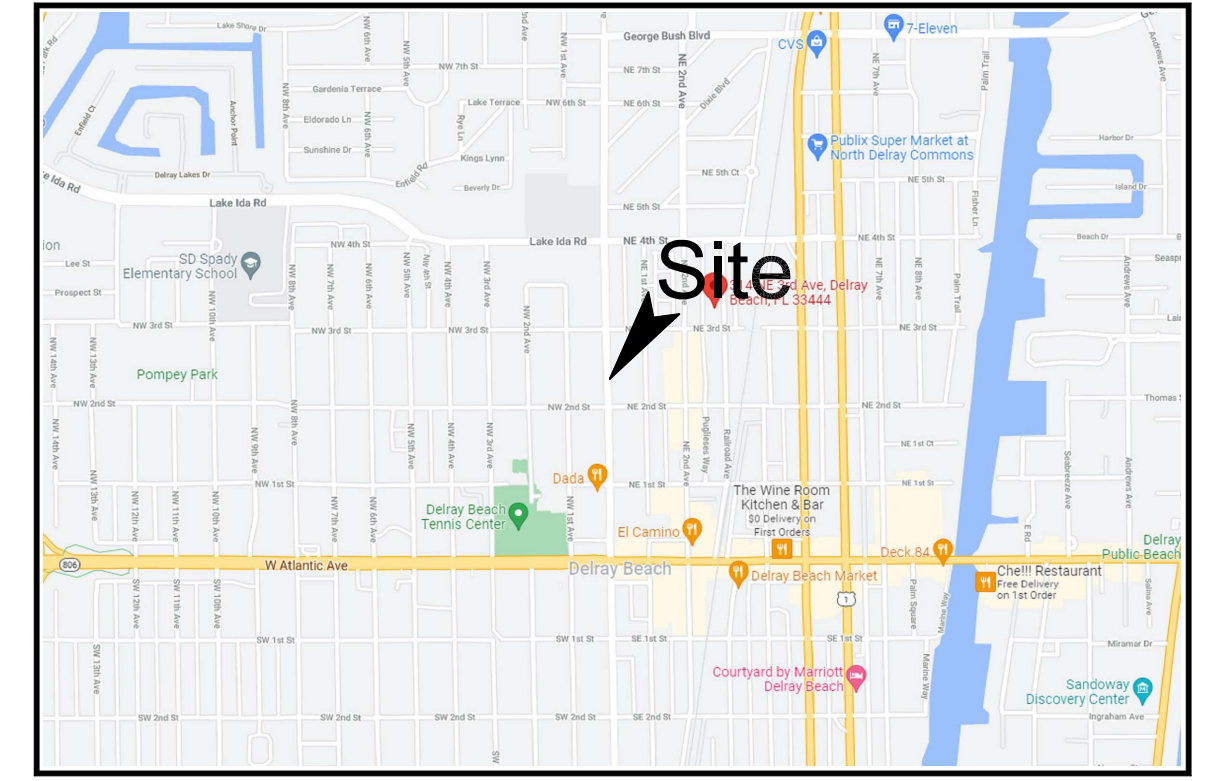
 © COPYRIGHT 2024 BY ENVIRODESIGN ASSOCIATES, INC. THIS DRAWING IS PROVIDED FOR INFORMATIONAL PURPOSES ONLY, UNLESS SIGNED AND SEALED BY A REGISTERED PROFESSIONAL ENGINEER REPRESENTING ENVIRODESIGN ASSOCIATES, INC.

NO.	DATE	REVISIONS	BY:
1	4/22/24	REV 1 TAC COMMENTS	BAB

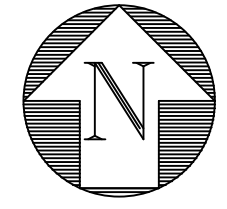
DEMOLITION PLAN FOR:
MIXED-USE DEVELOPMENT
314 NE 3RD AVENUE
DELRAY BEACH, FLORIDA

EnviroDesign Associates Inc.
www.envirodesign.com
ENGINEERS • ENVIRONMENTAL CONSULTANTS
FLORIDA CERTIFICATE OF AUTHORIZATION No. 6506
298 Pineapple Grove Way Delray Beach, Florida 33444
Phone: (561) 274-6500 Fax: (561) 274-8558

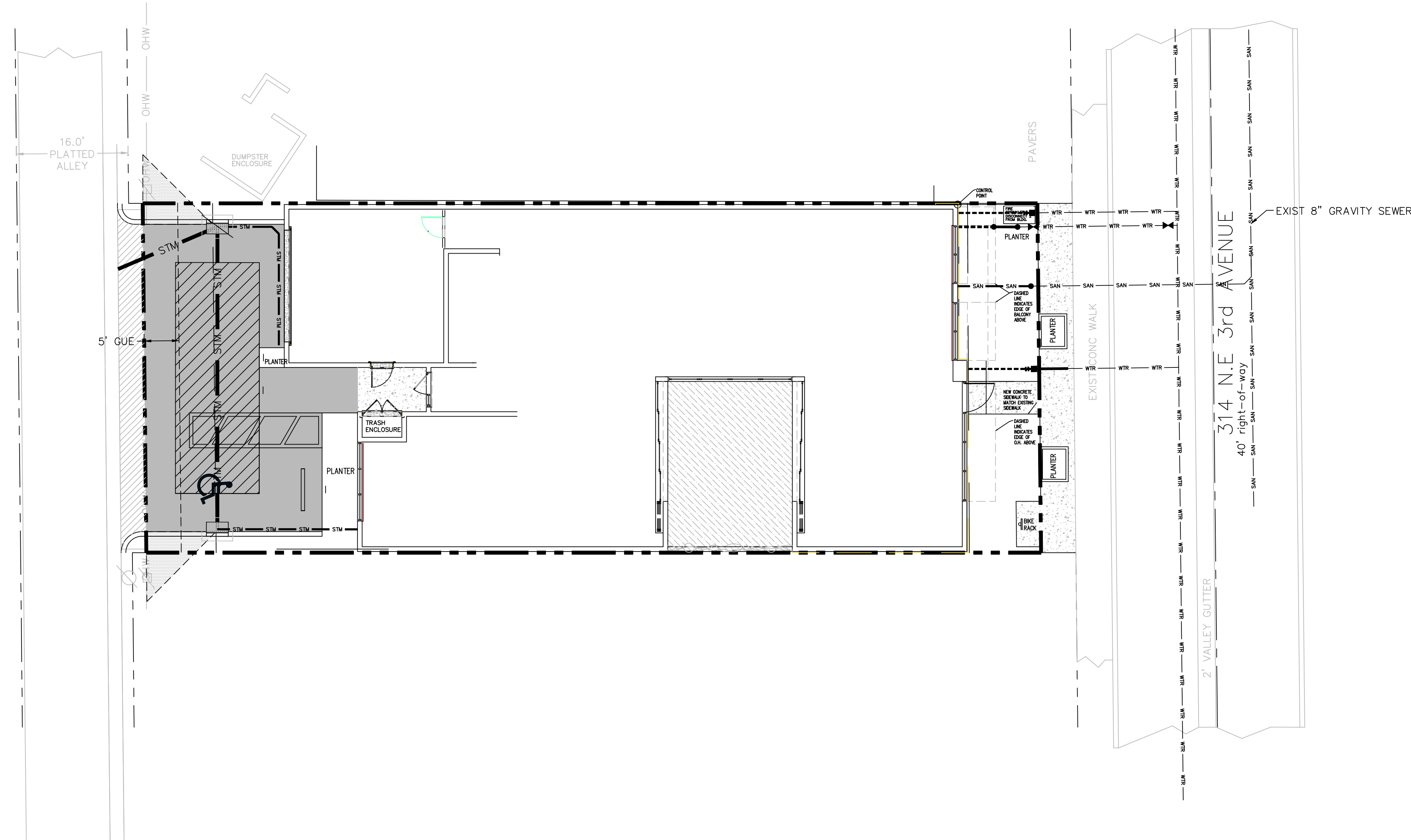
DRAWN:
B.A.B.
CHECKED:
J.A.P.
DATE:
06/25/24
JOB NO.
23035-ENG
SHEET NO.
6 OF 7



LOCATION MAP
N.T.S.



"NOT FOR CONSTRUCTION"



UTILITY PROVIDER SIGNOFF:

FPL: SIGNATURE _____ TITLE _____
 PRINT NAME _____ DATE _____

COMCAST: SIGNATURE _____ TITLE _____
 PRINT NAME _____ DATE _____

AT&T: SIGNATURE _____ TITLE _____
 PRINT NAME _____ DATE _____

FPU: SIGNATURE _____ TITLE _____
 PRINT NAME _____ DATE _____

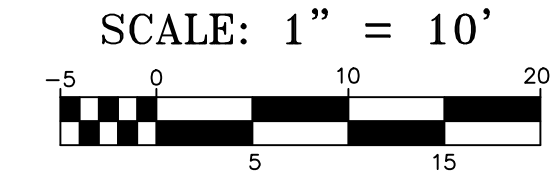
NOTE: ALL UTILITY SERVICES TO THE SITE AND INDIVIDUAL STRUCTURES ON THE SITE ARE TO BE PROVIDED VIA UNDERGROUND SERVICES.

LEGEND:

---	PROPERTY LINE	---	STM	EXISTING STORM LINE
---	PROPOSED STORM LINE	---	SAN	EXISTING SANITARY SEWER LINE
---	PROPOSED SANITARY SEWER LINE	---	WTR	EXISTING WATER LINE
---	PROPOSED WATER LINE	---	OHW	EXISTING OVERHEAD LINES
---	PROPOSED ELECTRIC UNDERGROUND LINE	---	GAS	EXISTING GAS LINES
---	PROPOSED GAS LINE			

NOTE: CONTRACTOR TO FIELD VERIFY EXACT LOCATION, SIZE, AND ELEVATION OF ALL IMPROVEMENTS AT TIME OF CONSTRUCTION AND REPORT ANY DISCREPANCIES TO ENVIRODESIGN ASSOCIATES, INC.

CALL 48 HOURS BEFORE YOU DIG.
 IT'S THE LAW
 1-800-432-4770
 SUNSHINE STATE ONE CALL OF FLORIDA, INC.



© COPYRIGHT 2024 BY ENVIRODESIGN ASSOCIATES, INC. THIS DRAWING IS PROVIDED FOR INFORMATIONAL PURPOSES ONLY, UNLESS SIGNED AND SEALED BY A REGISTERED PROFESSIONAL ENGINEER REPRESENTING ENVIRODESIGN ASSOCIATES, INC.

COMPOSITE UTILITY PLAN FOR:
MIXED-USE DEVELOPMENT
 314 NE 3RD AVENUE
 DELRAY BEACH, FLORIDA

EnviroDesign Associates Inc.
 www.envirodesign.com
ENGINEERS • ENVIRONMENTAL CONSULTANTS
 FLORIDA CERTIFICATE OF AUTHORIZATION No. 6506
 298 Pineapple Grove Way Delray Beach, Florida 33444
 Phone: (561) 274-6500 Fax: (561) 274-8558

NOT VALID WITHOUT ENGINEER'S SEAL
 JOSEPH A. PIKE, P.E.
 FL REG # 42696

NO.	DATE	REVISIONS
1	4/22/24	REV 1 TAC COMMENTS

BY: BAB

DRAWN: B.A.B.
 CHECKED: J.A.P.
 DATE: 06/25/24
 JOB NO. 23035-ENG
 SHEET NO. 1 OF 1

o:\2023\23035-314 NE 3rd Avenue-Jeff Costello - JC Planning Solutions\DWG\23035-ENG.dwg 6/25/2024 8:28 AM