

Radean Arm Mount LED Area Luminaire

Specifications

Height: 27ft. (13.35m)
 Length: 24" (610mm)
 Width: 30" (762mm)
 Weight: 47 lbs (21.3kg)

Ordering Information

| Order | Part Number | Order Qty | Unit Price | Total Price | Notes |
|-------|-------------|-----------|------------|-------------|--------------------------------|
| 1 | RA11 | 1 | 1000.00 | 1000.00 | Standard luminaire |
| 2 | RA12 | 1 | 1200.00 | 1200.00 | Standard luminaire with canopy |

Accessories

- RA11-1: Standard luminaire
- RA11-2: Standard luminaire with canopy
- RA11-3: Standard luminaire with canopy and canopy

STREET LIGHT

LED garden and pathway bollard

HK LIGHTING

ZXL16-1

Accent & Landscape | ZX16 Series | 2.25" | 5 - 14W (400 - 1400LM) | 120 - 277V | HK LED, RGBW, Amber

Features

- Versatile round, directional 120-277V LED modern accent light for commercial and large residential environments.
- 5W, 7W, 10W, 14W integrated HK LED delivering 400-1400 lumens 2200-4000K CCT, including specialty Amber and RGBW options.
- Wet Location Listed, IP67 Standard.
- Machined from solid aircraft grade (6061-T6), corrosion-resistant aluminum, then anodized and powder coated to create a highly durable, marine grade finish. Also available in solid brass or stainless steel.
- 180° vertical and 360° horizontal adjustment via locking swivel stem design.
- Modular components, field changeable LED optical beams, and lenses.
- Available with adjustable Angled, Long, and Short Glare Shields and ground, surface, and canopy mounting options.
- Every fixture tested end of line for water tightness and light quality.
- Ships complete with selected accessories installed.

Specifications

| Material | Voltage | Driver/ Dimming |
|--|-------------|--|
| Machined from billet 6061-T6 corrosion resistant aluminum with 304 stainless steel hardware. Available in 304/316 stainless steel or brass upon request. | 120-277V AC | Onboard, integrated LED Driver. Phase Control @ 120V 0-10V @ 120V, 277V, DALI or DMX control available, consult factory for details. |

PATH

SPJ LIGHTING Inc.

Contemporary Bollard

SPJ126-18

Specifications

Height: 22' 1/2"

Ordering Information

| Order | Part Number | Order Qty | Unit Price | Total Price | Notes |
|-------|-------------|-----------|------------|-------------|------------------|
| 1 | SPJ126-18 | 1 | 1000.00 | 1000.00 | Standard bollard |

PAGODA

HK LIGHTING

ZXL16-1

Accent & Landscape | ZX16 Series | 2.25" | 5 - 14W (400 - 1400LM) | 120 - 277V | HK LED, RGBW, Amber

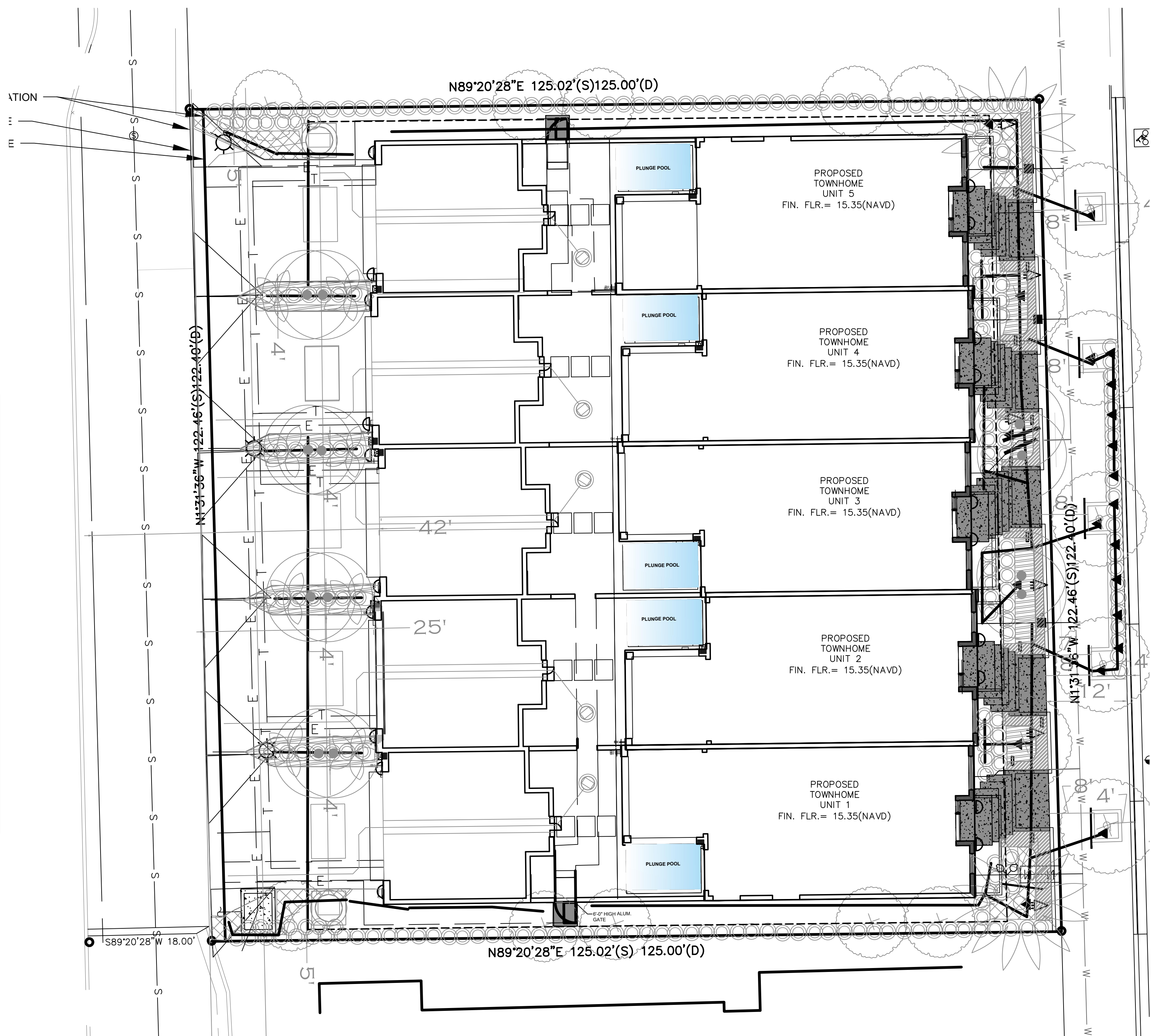
Features

- Versatile round, directional 120-277V LED modern accent light for commercial and large residential environments.
- 5W, 7W, 10W, 14W integrated HK LED delivering 400-1400 lumens 2200-4000K CCT, including specialty Amber and RGBW options.
- Wet Location Listed, IP67 Standard.
- Machined from solid aircraft grade (6061-T6), corrosion-resistant aluminum, then anodized and powder coated to create a highly durable, marine grade finish. Also available in solid brass or stainless steel.
- 180° vertical and 360° horizontal adjustment via locking swivel stem design.
- Modular components, field changeable LED optical beams, and lenses.
- Available with adjustable Angled, Long, and Short Glare Shields and ground, surface, and canopy mounting options.
- Every fixture tested end of line for water tightness and light quality.
- Ships complete with selected accessories installed.

Specifications

| Material | Voltage | Driver/ Dimming |
|--|-------------|--|
| Machined from billet 6061-T6 corrosion resistant aluminum with 304 stainless steel hardware. Available in 304/316 stainless steel or brass upon request. | 120-277V AC | Onboard, integrated LED Driver. Phase Control @ 120V 0-10V @ 120V, 277V, DALI or DMX control available, consult factory for details. |

SPOT



POLE LIGHTS IN ALLEYWAY SHALL BE DARK SKY COMPLIANT.

| NO. | DATE | BY |
|-----|------|----|
| | | |
| | | |
| | | |

CAULFIELD & WHEELER, INC.

CIVIL ENGINEERING
 LANDSCAPE ARCHITECTURE - SURVEYING
 7600 GLADES ROAD - SUITE 100
 BOCA RATON, FLORIDA 33434
 PHONE (561) 392-1991 / FAX (561) 750-1452

5TH AVENUE TOWNHOMES
 DELRAY BEACH, FLORIDA 33483

LIGHTING PLAN

FLORIDA

| | |
|-----------|----------|
| DATE | 10/22/23 |
| DRAWN BY | CAH |
| F.B./ PG. | -- |
| SCALE | 1" = 10' |

SUBMITTED BY:

G. ALLAN HENDRICKS
 LANDSCAPE ARCHITECT
 No. LA6666974
 STATE OF FLORIDA
 -FOR THE FIRM-

DATE

JOB # 10577

SHT. NO.

1-1

OF 1 SHEETS



IES ROAD REPORT
PHOTOMETRIC FILENAME : L02101801.IES

DESCRIPTIVE INFORMATION (From Photometric File)

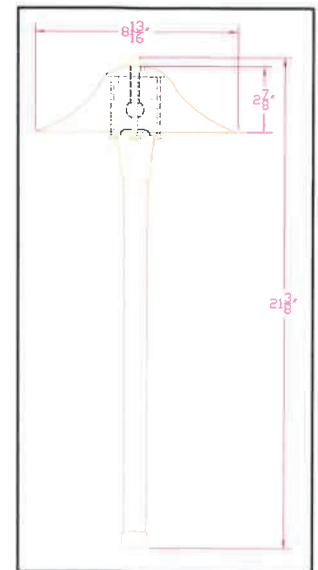
IESNA:LM-63-2002
[TEST] L0210-1801
[TESTLAB] LIGHT LABORATORY INC
[ISSUEDATE] 2/11/2010
[MANUFAC] SPJ LIGHTNG, INC.
[LUMCAT] SPJ-JS100
[MORE] SPJ-HPL-5,SPJ-HPL-9,SPJ07-11,SPJ-HPL-7,SPJ-TK001,SPJ07-14,SPJ09-05,
[MORE] SPJ10-03/SPJ20-01,SPJ10-05,SPJ09-06,SPJ10-04,SPJ10-06,SPJ-SK18,
[MORE] SPJ-MA-20,SPJ10-05-PETITE,SPJ-SK18-PETITE,SPJ-MA-20-PETITE,SPJ-HPL-5-PETITE,
[MORE] SPJ-CC-100,SPJ-CC-101,SPJ20-02,SPJ401,SPJ402,SPJ-CC-102,SPJ400,SPJ403
[LUMINAIRE] 8-13/16"DIA. X 21-3/8"H. PATHLIGHT
[MORE] 1 WARM WHITE LED, WHITE REFLECTOR
[LAMPPPOSITION] 0,0
[LAMPCAT] WARM WHITE LED
[OTHER] INDICATING THE CANDELA VALUES ARE ABSOLUTE AND
[MORE] SHOULD NOT BE FACTORED FOR DIFFERENT LAMP RATINGS.
[INPUT] 12VAC, 2.95W
[TEST PROCEDURE] IESNA:LM-79-08



Pagoda Light

CHARACTERISTICS

| | |
|---|-------------------------------|
| IES Classification | Type V |
| Longitudinal Classification | Short |
| Cutoff Classification (deprecated) | Full Cutoff |
| Lumens Per Lamp | N.A. (absolute) |
| Total Lumens | N.A. (absolute) |
| Luminaire Lumens | 54 |
| Total Luminaire Efficiency | N.A. |
| Downward Total Efficiency | N.A. |
| Upward Waste Light Ratio | 0.00 |
| Maximum Candela | 15.14 |
| Maximum Candela Angle | 0H 45V |
| Maximum Candela At 90 Degrees Vertical | 0 (0.0% Luminaire Lumens) |
| Maximum Candela from 80 to <90 Degrees Vertical | 3.255 (6.0% Luminaire Lumens) |
| Total Luminaire Watts | 2.95 |
| Ballast Factor | 1.00 |



IES ROAD REPORT
PHOTOMETRIC FILENAME : L02101801.IES

LUMINAIRE CLASSIFICATION SYSTEM (LCS)

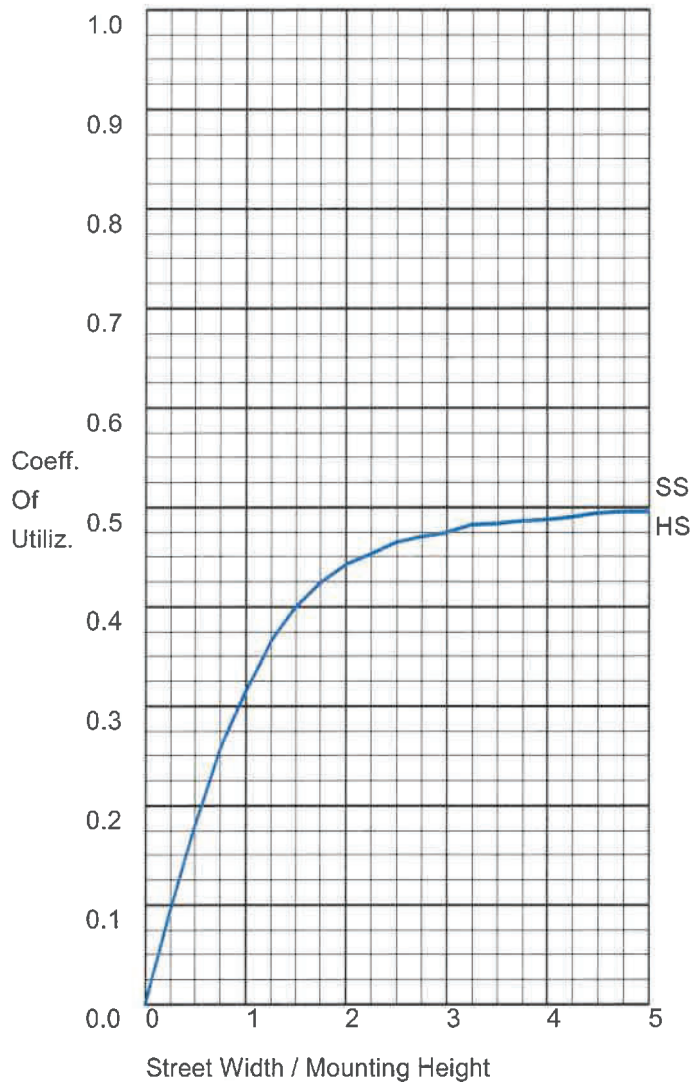
| | Lumens | % Lamp | % Luminaire |
|-------------------------------|----------|--------|-------------|
| FL - Front-Low (0-30) | 2.9 | 0.0 | 5.3 |
| FM - Front-Medium (30-60) | 12.9 | 0.0 | 23.6 |
| FH - Front-High (60-80) | 9.6 | 0.0 | 17.5 |
| FVH - Front-Very High (80-90) | 1.9 | 0.0 | 3.4 |
| BL - Back-Low (0-30) | 2.9 | 0.0 | 5.3 |
| BM - Back-Medium (30-60) | 12.9 | 0.0 | 23.6 |
| BH - Back-High (60-80) | 9.6 | 0.0 | 17.5 |
| BVH - Back-Very High (80-90) | 1.9 | 0.0 | 3.4 |
| UL - Uplight-Low (90-100) | 0.0 | 0.0 | 0.0 |
| UH - Uplight-High (100-180) | 0.0 | 0.0 | 0.0 |
| Total | 54.6 | 0.0 | 100.0 |
| BUG Rating | B0-U0-G0 | | |

IES ROAD REPORT
PHOTOMETRIC FILENAME : L02101801.IES

CANDELA TABULATION

| Vert. Angles | Horizontal Angles |
|-----------------|-------------------|
| | <u>0</u> |
| 0 | 12.84 |
| 5 | 10.89 |
| 15 | 9.76 |
| 25 | 8.91 |
| 35 | 9.16 |
| 45 | 15.14 |
| 55 | 14.14 |
| 65 | 9.53 |
| 75 | 5.78 |
| 85 | 0.73 |
| 90 | 0.00 |
| 95 | 0.00 |
| 105 | 0.00 |
| 115 | 0.00 |
| 125 | 0.00 |
| 135 | 0.00 |
| 145 | 0.00 |
| 155 | 0.00 |
| 165 | 0.00 |
| 175 | 0.00 |
| 180 | 0.00 |

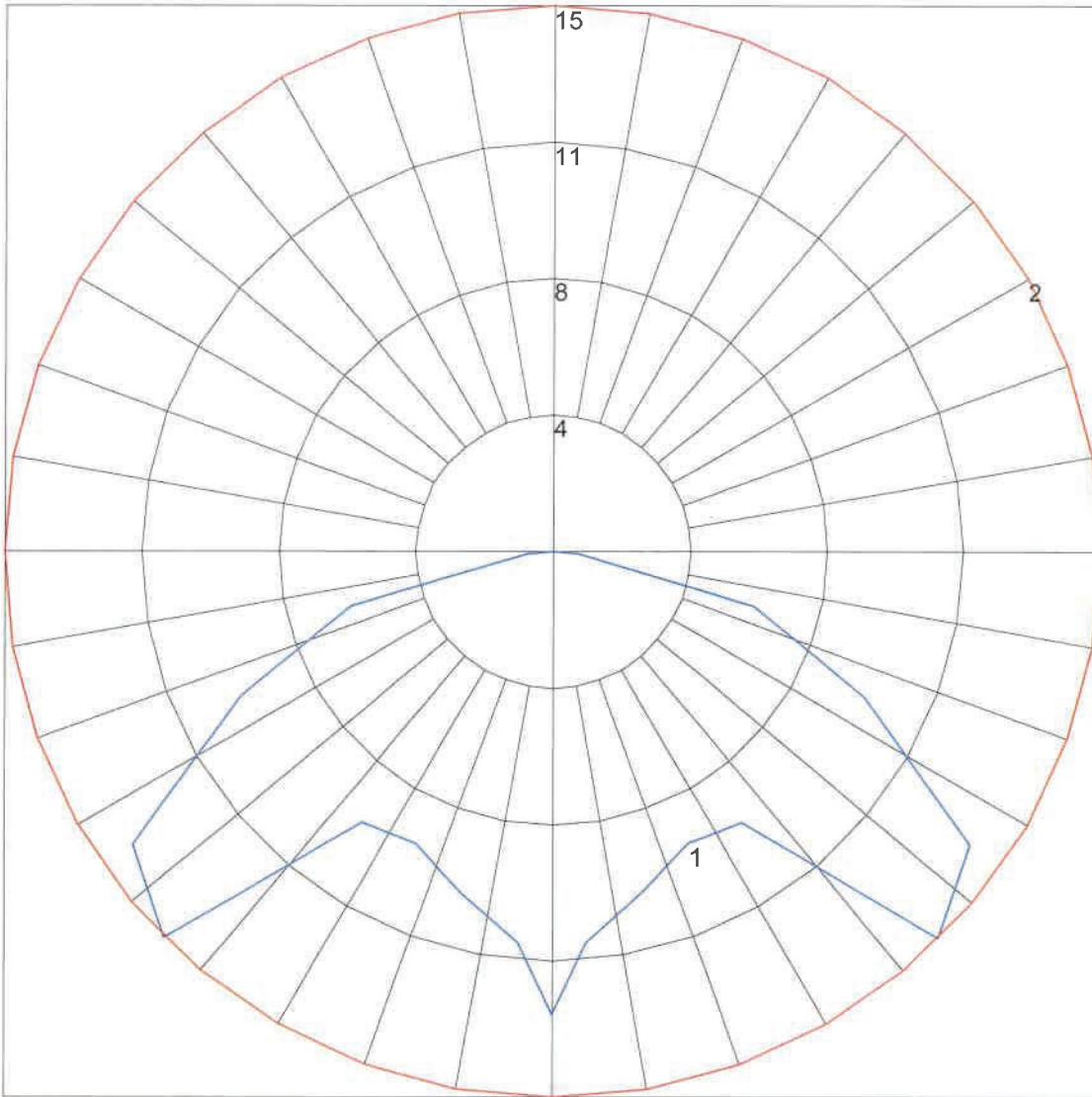
COEFFICIENTS OF UTILIZATION



FLUX DISTRIBUTION

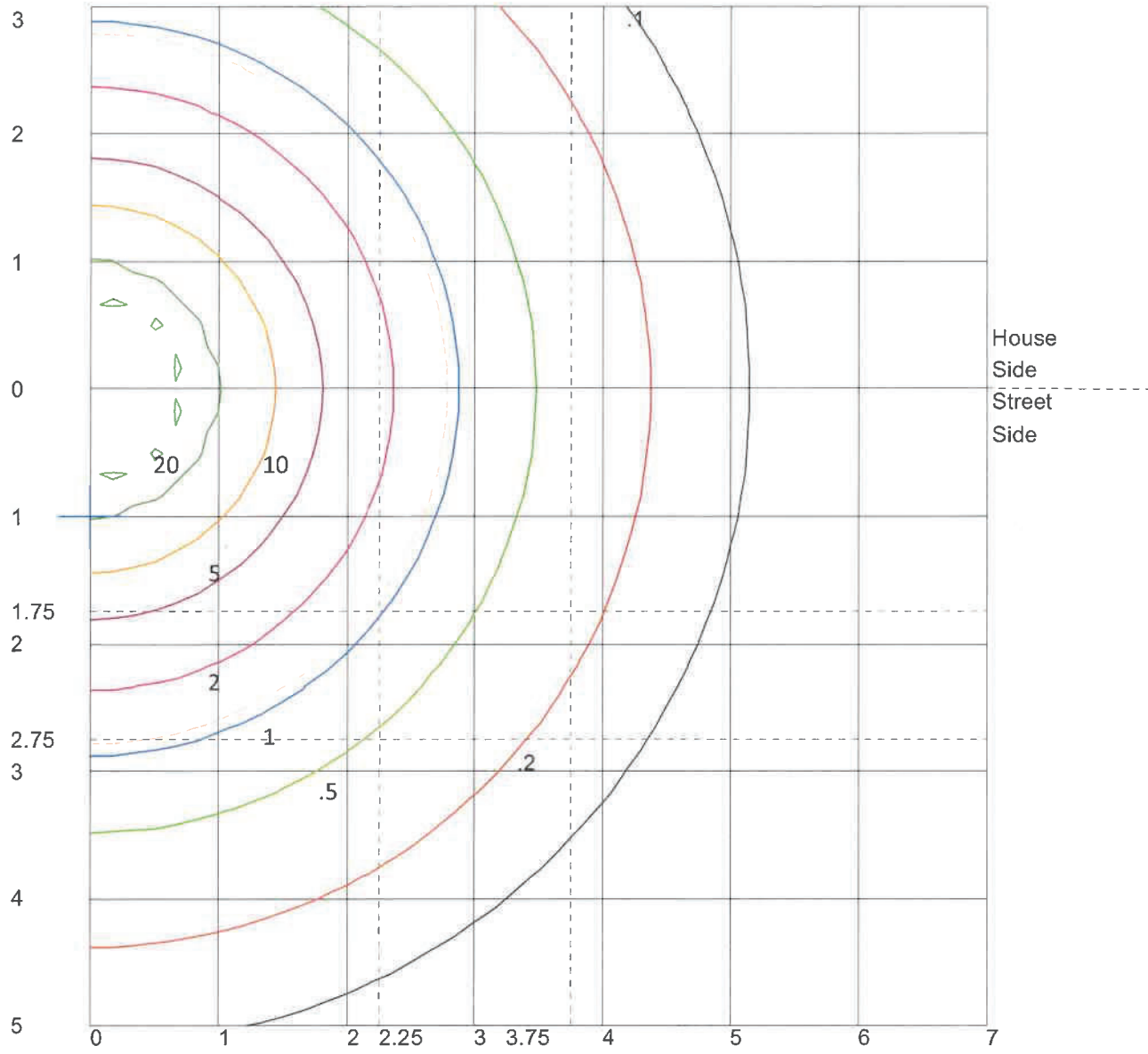
| | Lumens | Percent Of Lamp |
|----------------------|--------|-----------------|
| Downward Street Side | 27.2 | N.A. |
| Downward House Side | 27.2 | N.A. |
| Downward Total | 54.4 | N.A. |
| Upward Street Side | 0.0 | N.A. |
| Upward House Side | 0.0 | N.A. |
| Upward Total | 0.0 | N.A. |
| Total Flux | 54.4 | N.A. |

POLAR GRAPH



Maximum Candela = 15.14 Located At Horizontal Angle = 0, Vertical Angle = 45
1 - Vertical Plane Through Horizontal Angles (0 - 180) (Through Max. Cd.)
2 - Horizontal Cone Through Vertical Angle (45) (Through Max. Cd.)

ISOFOOTCANDLE LINES OF HORIZONTAL ILLUMINANCE



Distance In Units Of Mounting Height
 Values Based On .51 Foot Mounting Height
 1/2 Maximum Candela Trace Shown As Dashed Curve
 (+) = Maximum Candela Point

Application

Pathway luminaire with shielded light for use in the private sector. These luminaires are ideally suited for gardens, entryways, and for many applications on paths and terraces. Hardscape base is intended for installation on foundations or paved surfaces. Low voltage magnetic transformer required for operation.

Materials

Clear safety glass with matte finish
 Aluminum housing
 High temperature silicone gasket
 Galvanized steel anchorage

NRTL listed to North American Standards, suitable for wet locations
 Protection class IP 65

Weight: 6.2 lbs.

Electrical

Operating voltage 12VAC
 Minimum start temperature -40° C
 LED module wattage 4.2 W
 System wattage 5.8 W
 Controllability Non-Dimming
 Color rendering index Ra > 90
 Luminaire lumens 156 lm
 LED service life (L70) 60000 hrs

LED color temperature

- 4000K (K4)
- 3500K (K35)
- 3000K (K3)
- 2700K (K27)

BEGA can supply you with suitable LED replacement modules for up to 20 years after the purchase of LED luminaires - see website for details

Finish

All BEGA standard finishes are matte, textured powder coat with minimum 3 mil thickness. BEGA Unidure® finish, a fluoropolymer technology, provides superior fade protection in Black, Bronze, and Silver. BEGA standard White is a super durable polyester powder. Optionally available RAL and custom color finishes provided in either polyester powder or liquid paint.

Available colors

- Black (BLK)
- Silver (SLV)
- RAL:
- Bronze (BRZ)
- White (WHT)
- CUS:

Type:

BEGA Product:

Project:

Modified:

Path Light

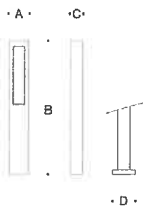

Available options

- CUS Custom finish
- MGU Marine grade undercoat
- RAL RAL finish

Available accessories

- B536 Low voltage magnetic transformer · 300W

See individual accessory spec sheet for details.



Garden bollard · Hardscape base • 12V AC

| | LED | A | B | C | D |
|---------------|------|-------|--------|---|-------|
| B77266 | 4.2W | 3 1/2 | 27 1/2 | 2 | 3 1/8 |





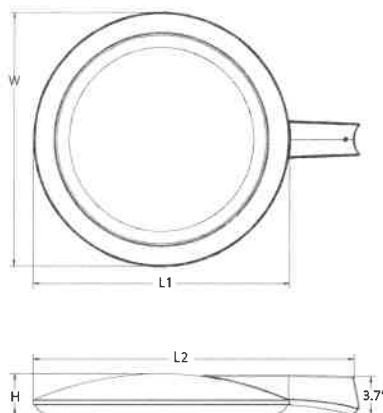
Radean Arm Mount LED Area Luminaire



| | |
|----------------|------|
| Catalog Number | Pole |
| Notes | |
| Type | |

Specifications

| | |
|----------------------|--|
| EPA: | 0.75 ft ² (0.05 m ²) |
| Length: | |
| L1 | 24" (61cm) |
| L2 | 30" (60.96 cm) |
| Width: | 24" (61cm) |
| Height: | 4" (10.2cm) |
| Weight (max): | 29lbs (13.15Kg) |



Introduction

The RADEAN arm mount luminaire is the perfect choice for pedestrian applications where daytime aesthetics and visual comfort are needed. Adding architectural flair to any space, the RADEAN's low-profile shape and smooth curves blend in while adding a touch of elegance.

Perfect for campuses, parks, pedestrian malls, courtyards and pathways, the RADEAN arm mount is the Architect's choice to provide beautiful aesthetics both day and night.

Ordering Information

EXAMPLE: RAD1 LED P3 30K SYM MVOLT RPA PE DNAXD

RAD1 LED

| Series | Performance package | Color temperature | Distribution | Voltage | Mounting |
|----------|---------------------|-------------------|------------------------|-------------------------------------|---|
| RAD1 LED | P1 3,000 Lumens | 27K 2700K | SYM Symmetric type V | MVOLT ² 277 ² | SPA Square pole mounting (includes adapter) |
| | P2 5,000 Lumens | 30K 3000K | ASY Asymmetric type IV | 120 ² 347 | RPA Round pole mounting |
| | P3 7,000 Lumens | 35K 3500K | PATH Pathway type III | 208 ² 480 | WBA Wall bracket |
| | P4 11,000 Lumens | 40K 4000K | | 240 ² | |
| | P5 16,000 Lumens | 50K 5000K | | | |

| Control options | Other options | Finish (required) |
|--|--|--|
| Shipped installed NLTAIR2 nLight AIR 2.0 enabled ³ PE Button photocell ³ FAO Field adjustable output ³ DMG 0-10v dimming wires pulled outside fixture (for use with an external control, ordered separately) | Shipped separately SF Single Fuse ² DF Double Fuse ² L90 Left rotated optics R90 Right rotated optics HS Houseside shield ⁵ | DDBXD Dark bronze DBLXD Black DNAXD Natural aluminum DWHXD White DDBTXD Textured dark bronze DBLTXD Textured black DNATXD Textured natural aluminum DWHGXD Textured white |

Accessories

Ordered and shipped separately.

| | |
|--------|---|
| RADHS | Houseside shield (shield is white) |
| RADCS | Decorative damshell base for 4" RSS pole (specify finish) |
| RADFBC | Full base cover for 4" RSS pole (specify finish) |

For more control options, visit [iTLI](#) and [iPDM](#) online.

NOTES

- 2700K and 3500K may require extended lead-times.
- MVOLT driver operates on any line voltage from 120-277V (50/60 Hz). Single fuse (SF) requires 120, 277 or 347 voltage option. Double fuse (DF) requires 208, 240 or 480 voltage option.
- NLTAIR2 not available with PE or FAO. Must link to external nLight Air network. Does not include occupancy sensor. For more information refer to rSBOR pole mount sensor.
- DMG not available with NLTAIR2 or FAO.
- Also available as a separate accessory; see Accessories information. Shield is field rotatable in 45° increments.



COMMERCIAL OUTDOOR

One Lithonia Way • Conyers, Georgia 30012 • Phone: 1-800-705-SERV (7378) • www.lithonia.com
 © 2011-2024 Acuity Brands Lighting, Inc. All rights reserved.

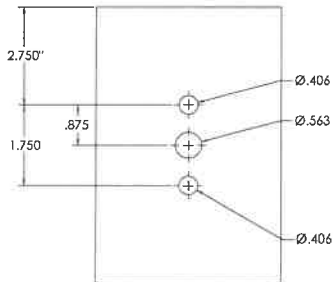
RAD1 LED
 Rev. 03/27/24

Mounting

| Recommended Poles for use with RADEAN RAD1 LED Luminaires. | | | |
|--|---|-----------------|--------------------|
| Acuity Part Number | Description | For luminaires: | Used with Mounting |
| RSS 10 4B DM19RAD DDBXD | 10' Round Straight Steel - Template #20 Drilling | RAD1 LED | RPA |
| RSS 12 4B DM19RAD DDBXD | 12' Round Straight Steel - Template #20 Drilling | RAD1 LED | RPA |
| RSS 14 4B DM19RAD DDBXD | 14' Round Straight Steel - Template #20 Drilling | RAD1 LED | RPA |
| RSS 16 4B DM19RAD DDBXD | 16' Round Straight Steel - Template #20 Drilling | RAD1 LED | RPA |
| RSS 18 4B DM19RAD DDBXD | 18' Round Straight Steel - Template #20 Drilling | RAD1 LED | RPA |
| RSS 20 4B DM19RAD DDBXD | 20' Round Straight Steel - Template #20 Drilling | RAD1 LED | RPA |
| RSS 25 4B DM19RAD DDBXD | 25' Round Straight Steel - Template #20 Drilling | RAD1 LED | RPA |
| | | | |
| SSS 10 4C DM19RAD DDBXD | 10' Square Straight Steel - Template #20 Drilling | RAD1 LED | SPA |
| SSS 12 4C DM19RAD DDBXD | 12' Square Straight Steel - Template #20 Drilling | RAD1 LED | SPA |
| SSS 14 4C DM19RAD DDBXD | 14' Square Straight Steel - Template #20 Drilling | RAD1 LED | SPA |
| SSS 16 4C DM19RAD DDBXD | 16' Square Straight Steel - Template #20 Drilling | RAD1 LED | SPA |
| SSS 18 4C DM19RAD DDBXD | 18' Square Straight Steel - Template #20 Drilling | RAD1 LED | SPA |
| SSS 20 4C DM19RAD DDBXD | 20' Square Straight Steel - Template #20 Drilling | RAD1 LED | SPA |
| SSS 25 4C DM19RAD DDBXD | 25' Square Straight Steel - Template #20 Drilling | RAD1 LED | SPA |

* Customer must verify pole loading per required design criteria and specified wind speed. Consult pole specification sheet for additional details.

Drilling Template #20



RAD1 has a unique drilling pattern. Specify this drilling pattern when specifying poles, per the table below.

| | | | |
|----------------|-----------------------|----------------|-------------------------|
| DM19RAD | Single unit | DM29RAD | 2 at 90° ^{1,2} |
| DM28RAD | 2 at 180° | DM39RAD | 3 at 90° * |
| DM49RAD | 4 at 90° ¹ | DM32RAD | 3 at 120° |

Example: SSA 20 4C **DM19RAD** DDBXD

Visit Lithonia Lighting's [POLES CENTRAL](#) to see our wide selection of poles, accessories and educational tools.

1. Round pole top must be 4.25" O.D. minimum.
2. Square pole top must be 3.125" O.D. minimum.



COMMERCIAL OUTDOOR

One Lithonia Way • Conyers, Georgia 30012 • Phone: 1-800-705-SERV (7378) • www.lithonia.com
© 2011-2024 Acuity Brands Lighting, Inc. All rights reserved.

RAD1 LED
Rev. 03/27/24

Performance Data

Lumen Output

Lumen values are from photometric tests performed in accordance with IESNA LM-79-08. Data is considered to be representative of the configurations shown. Contact factory for performance data on any configurations not shown here.

| Performance Package | Input Wattage | Distribution | 2700K | | | | | 3000K | | | | | 3500K | | | | | 4000K | | | | | 5000K | | | | |
|---------------------|---------------|--------------|--------|---|---|---|-----|--------|---|---|---|-----|--------|---|---|---|-----|--------|---|---|---|-----|--------|---|---|---|-----|
| | | | Lumens | B | U | G | LPW | Lumens | B | U | G | LPW | Lumens | B | U | G | LPW | Lumens | B | U | G | LPW | Lumens | B | U | G | LPW |
| P1 | 25 | ASY | 3,103 | 1 | 0 | 1 | 122 | 3,207 | 1 | 0 | 1 | 126 | 3,285 | 1 | 0 | 1 | 129 | 3,362 | 1 | 0 | 1 | 132 | 3,362 | 1 | 0 | 1 | 132 |
| | | PATH | 2,695 | 2 | 0 | 2 | 106 | 2,785 | 2 | 0 | 2 | 110 | 2,853 | 2 | 0 | 2 | 112 | 2,920 | 2 | 0 | 2 | 115 | 2,920 | 2 | 0 | 2 | 115 |
| | | SYM | 3,271 | 2 | 0 | 1 | 129 | 3,380 | 2 | 0 | 1 | 133 | 3,461 | 2 | 0 | 1 | 136 | 3,543 | 2 | 0 | 1 | 139 | 3,543 | 2 | 0 | 1 | 139 |
| P2 | 38 | ASY | 4,798 | 1 | 0 | 2 | 126 | 4,958 | 1 | 0 | 2 | 130 | 5,078 | 2 | 0 | 2 | 134 | 5,198 | 2 | 0 | 2 | 137 | 5,198 | 2 | 0 | 2 | 137 |
| | | PATH | 4,167 | 2 | 0 | 2 | 110 | 4,306 | 3 | 0 | 3 | 113 | 4,410 | 3 | 0 | 3 | 116 | 4,514 | 3 | 0 | 3 | 119 | 4,514 | 3 | 0 | 3 | 119 |
| | | SYM | 5,056 | 2 | 0 | 1 | 133 | 5,225 | 3 | 0 | 1 | 137 | 5,351 | 3 | 0 | 1 | 141 | 5,478 | 3 | 0 | 1 | 144 | 5,478 | 3 | 0 | 1 | 144 |
| P3 | 54 | ASY | 6,779 | 2 | 0 | 2 | 126 | 7,005 | 2 | 0 | 2 | 131 | 7,174 | 2 | 0 | 2 | 134 | 7,344 | 2 | 0 | 2 | 137 | 7,344 | 2 | 0 | 2 | 137 |
| | | PATH | 5,887 | 3 | 0 | 3 | 110 | 6,084 | 3 | 0 | 3 | 113 | 6,231 | 3 | 0 | 3 | 116 | 6,378 | 3 | 0 | 3 | 119 | 6,378 | 3 | 0 | 3 | 119 |
| | | SYM | 7,144 | 3 | 0 | 2 | 133 | 7,382 | 3 | 0 | 2 | 138 | 7,561 | 3 | 0 | 2 | 141 | 7,739 | 3 | 0 | 2 | 144 | 7,739 | 3 | 0 | 2 | 144 |
| P4 | 86 | ASY | 10,773 | 3 | 0 | 3 | 126 | 11,132 | 3 | 0 | 3 | 130 | 11,401 | 3 | 0 | 3 | 133 | 11,671 | 3 | 0 | 3 | 136 | 11,671 | 3 | 0 | 3 | 136 |
| | | PATH | 9,356 | 3 | 0 | 3 | 109 | 9,668 | 3 | 0 | 3 | 113 | 9,902 | 3 | 0 | 3 | 116 | 10,136 | 3 | 0 | 3 | 118 | 10,136 | 3 | 0 | 3 | 118 |
| | | SYM | 11,353 | 3 | 0 | 2 | 133 | 11,731 | 3 | 0 | 2 | 137 | 12,015 | 3 | 0 | 2 | 140 | 12,299 | 3 | 0 | 2 | 144 | 12,299 | 3 | 0 | 2 | 144 |
| P5 | 122 | ASY | 15,001 | 3 | 0 | 3 | 123 | 15,501 | 3 | 0 | 3 | 127 | 15,876 | 3 | 0 | 3 | 130 | 16,251 | 3 | 0 | 3 | 133 | 16,251 | 3 | 0 | 3 | 133 |
| | | PATH | 13,028 | 4 | 0 | 4 | 107 | 13,462 | 4 | 0 | 4 | 110 | 13,788 | 4 | 0 | 4 | 113 | 14,114 | 4 | 0 | 4 | 116 | 14,114 | 4 | 0 | 4 | 116 |
| | | SYM | 15,808 | 4 | 0 | 3 | 130 | 16,335 | 4 | 0 | 3 | 134 | 16,731 | 4 | 0 | 3 | 137 | 17,126 | 4 | 0 | 3 | 140 | 17,126 | 4 | 0 | 3 | 140 |

Lumen Ambient Temperature (LAT) Multipliers

Use these factors to determine relative lumen output for average ambient temperatures from 0-40°C (32-104°F).

| Ambient | | LAT Factor |
|---------|-------|------------|
| 0°C | 32°F | 1.06 |
| 5°C | 41°F | 1.05 |
| 10°C | 50°F | 1.04 |
| 15°C | 59°F | 1.02 |
| 20°C | 68°F | 1.01 |
| 25°C | 77°F | 1.00 |
| 30°C | 86°F | 0.99 |
| 35°C | 95°F | 0.98 |
| 40°C | 104°F | 0.96 |

Projected LED Lumen Maintenance

Data references the extrapolated performance projections for the RAD1 LED P5 platform in a 25°C ambient, based on 10,000 hours of LED testing (tested per IESNA LM-80-08 and projected per IESNA TM-21-11).

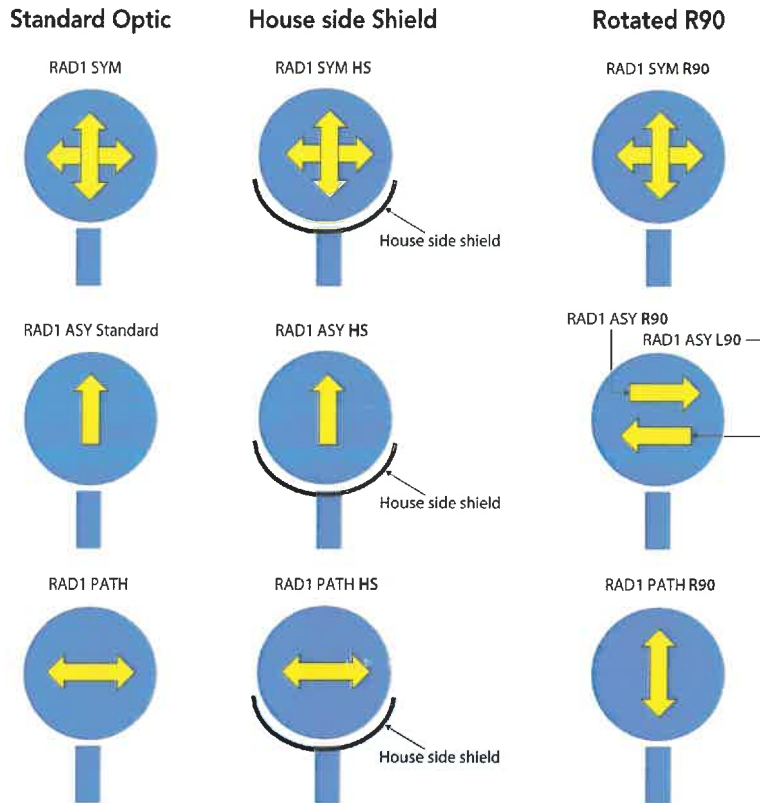
To calculate LLF, use the lumen maintenance factor that corresponds to the desired number of operating hours below. For other lumen maintenance values, contact factory.

| | Projected LED Lumen Maintenance | | | |
|----|---------------------------------|--------|--------|---------|
| | 0 | 25,000 | 50,000 | 100,000 |
| P1 | 1.00 | 0.96 | 0.91 | 0.82 |
| P2 | 1.00 | 0.96 | 0.91 | 0.82 |
| P3 | 1.00 | 0.96 | 0.91 | 0.82 |
| P4 | 1.00 | 0.96 | 0.91 | 0.82 |
| P5 | 1.00 | 0.95 | 0.89 | 0.78 |

Electrical Load

| Lumen Package | LED Drive Current | Voltage | Wattage | | Current (A) | | | | | |
|---------------|-------------------|---------|---------|---------------|-------------|------|------|------|------|------|
| | | | | | 120 | 208 | 240 | 277 | 347 | 480 |
| P1 | 500 | 42.8 | 21.4 | Input Current | 0.22 | 0.13 | 0.11 | 0.1 | 0.08 | 0.06 |
| | | | | System Watts | 26 | 26 | 26 | 27 | 25 | 26 |
| P2 | 770 | 43 | 33.1 | Input Current | 0.33 | 0.19 | 0.16 | 0.14 | 0.11 | 0.08 |
| | | | | System Watts | 39 | 39 | 39 | 39 | 38 | 38 |
| P3 | 1100 | 43.2 | 47.5 | Input Current | 0.46 | 0.26 | 0.23 | 0.2 | 0.16 | 0.12 |
| | | | | System Watts | 55 | 54 | 54 | 54 | 54 | 54 |
| P4 | 900 | 87.3 | 78.6 | Input Current | 0.73 | 0.42 | 0.36 | 0.32 | 0.25 | 0.18 |
| | | | | System Watts | 87 | 86 | 86 | 86 | 86 | 86 |
| P5 | 1250 | 88.2 | 110.2 | Input Current | 1 | 0.58 | 0.5 | 0.44 | 0.35 | 0.25 |
| | | | | System Watts | 120 | 119 | 119 | 119 | 120 | 120 |





FEATURES & SPECIFICATIONS

INTENDED USE

Pedestrian areas such as parks, campuses, pathways, courtyards and pedestrians malls.

CONSTRUCTION

Single-piece die-cast aluminum housing with nominal wall thickness of 0.125" on a 6mm thick acrylic waveguide is fully gasketed with a single piece tubular silicone gasket.

FINISH

Exterior parts are protected by a zinc-infused Super Durable TGIC thermoset powder coat finish that provides superior resistance to corrosion and weathering. A tightly controlled multi-stage process ensures a minimum 3 mils thickness for a finish that can withstand extreme climate changes without cracking or peeling. Standard Super Durable colors include dark bronze, black, natural aluminum and white. Available in textured and non-textured finishes.

OPTICS

6MM thick acrylic waveguide with 360° flexible LED board. Available in 2700K, 3000K, 3500K, 4000K and 5000K (80CRI) CCT configurations.

ELECTRICAL

Light engine consists of 96 high-efficacy LEDs mounted to a flexible circuit board and aluminum heat sink, ensuring optimal thermal management and long life. Fixtures ship standard with 0-10v dimming driver (order option DMG for connection to exterior controls). Class 1 electronic driver has a power factor >90%, THD <20%, with an expected life of 100,000 hours with <1% failure rate. Serviceable 10kV surge protection device meets a minimum Category C Low for operation (per ANSI/IEEE C62.41.2).

INSTALLATION

Included luminaire and integral arm facilitate quick and easy installation. Stainless steel bolts fasten the mounting block securely to poles and walls.

LISTINGS

CSA certified to U.S. and Canadian standards. Luminaire is IP65 rated. Rated for -40°C minimum ambient.

DesignLights Consortium® (DLC) Premium qualified product and DLC qualified product. Not all versions of this product may be DLC Premium qualified or DLC qualified. Please check the DLC Qualified Products List at www.designlights.org/DLP to confirm which versions are qualified. International Dark-Sky Association (IDA) Fixture Seal of Approval (FSA) is available for all products on this page utilizing 3000K color or less.

GOVERNMENT PROCUREMENT

BAA – Buy America(n) Act: Product qualifies as a domestic end product under the Buy American Act as implemented in the FAR and DFARS. Product also qualifies as manufactured in the United States under DOT Buy America regulations.

BABA – Build America Buy America: Product qualifies as produced in the United States under the definitions of the Build America, Buy America Act.

Please refer to www.acuitybrands.com/buy-american for additional information.

WARRANTY

5-year limited warranty. This is the only warranty provided and no other statements in this specification sheet create any warranty of any kind. All other express and implied warranties are disclaimed. Complete warranty terms located at: www.acuitybrands.com/support/warranty/terms-and-conditions

Note: Actual performance may differ as a result of end-user environment and application. All values are design or typical values, measured under laboratory conditions at 25 °C. Specifications subject to change without notice.

ZXL16-I

(includes former ZXL16i model)

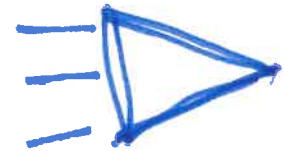
ACCENT & LANDSCAPE | ZX16 Series | 2.25"
 5 - 14W (400 - 1400LM) | 120 - 227V | HK LED, RGBW, Amber



Standard Line Voltage Accent: ZXL16-IR1SA-ABL

FEATURES

- Versatile round, directional 120-277V LED modern accent light for commercial and large residential environments.
- 5W, 7W, 10W, 14W integrated HK LED delivering 400-1400 lumens 2200-4000K CCT, including specialty Amber and RGBW options.
- Wet Location Listed, IP67 Standard.
- Machined from solid aircraft grade (6061-T6), corrosion-resistant aluminum, then anodized and powder coated to create a highly durable, marine grade finish. Also available in solid brass or stainless steel.
- 180° vertical and 360° horizontal adjustment via locking swivel stem design.
- Modular components, field changeable LED optical beams, and lenses.
- Available with adjustable Angled, Long, and Short Glare Shields and ground, surface, and canopy mounting options.
- Every fixture tested end of line for water tightness and light quality.
- Ships complete with selected accessories installed.



SPECIFICATIONS

Materials

Machined from billet 6061-T6 corrosion resistant aluminum with 304 stainless steel hardware. Available in 304/316 stainless steel or 360 brass upon request.

Finish

Aluminum materials are first anodized and then powder coated for a robust, marine grade finish. Stainless steel and brass models are provided with brushed surface.

Hood and Glare Shield

Weeping and Non-weeping Hood Styles. Set screw or threaded Angled, Short, or Long Glare Shields. (See page 4 for details).

Voltage

120-277V AC

Wattage

5, 7, 10 or 14W HK LED delivering 400-1400 lumens.

Light Engine

Innovative HK LED Light module operates like a lamp and can be easily changed in the field. CRI 90 Standard. Available in CRI 80 or CRI 95 upon request. Standard CCT options are 2700K, 3000K, 3500K, 4000K. Specialty 2200K, 2400K, 2500K, Amber, and RGBW options available. Consult factory for specialty LED specification details.

Listings

ETL Listed for Wet Location, IP67 Standard. RoHS Compliant.

Driver/ Dimming

Onboard, Integrated LED Driver Phase Control @ 120V, 0-10V @ 120-277V, DALI or DMX control available, consult factory for details.

Optics

Narrow (20°), Medium (33°), Wide (44°), and Extra Wide (57°) beam spread options available. Accepts up to 3 optical accessories (hexcel louver, optical lenses, dichroic color filters, etc.) Secured place with metal snap ring.

Mounting

Mounts using 1/2"-14 NPS male fitting compatible with all HK Lighting mounting accessories. (See page 4 for details).

ORDERING GUIDE

EXAMPLE: ZXL16I-IR1SA-ABL-120V05W-27N-GSA-LVR-MHJB-06-BRZ

| MODEL | PHYSICAL OPTIONS | | | | MATERIAL / FINISH | | | POWER | | LIGHT | |
|--|---|------------|---------------------------------|--------------------|---|---------------------------|------------------------------|-----------------------------|-----------------------|-----------------------|----------|
| ZXL16 | | | | | | | | | | | |
| ZX16 Series 2.25" Accent Light Integrated HK LED | IR1 Line Voltage, Round Accent Integrated Driver | STYLE | | HOOD | | ABL Aluminum Black | 120V 120V (Phase Control) | 05W 5 Watt (400lm) | 22 2200K | OPTICS | |
| | | S Standard | A A Style: Weeping | A A Style: Weeping | ABR Aluminum Bronze | UNIV 120V-277V (0-10V) | | | | 07W 7 Watt (700lm) | 24 2400K |
| | | F Finned | B B Style: No Weep Holes | | AAC Aluminum Anodized Clear ¹ | | 10W 10 Watt (1000m) | 25 2500K | W Wide (44°) | E Extra Wide (57°) | |
| | | | C C Style: Threaded, Weeping | | NBR Natural Brass ¹ | | 14W 14 Watt (1400lm) | 27 2700K | CC Custom Optic | | |
| | | | | | NCU Natural Copper ¹ | | | 30 3000K | | | |
| | | | | | NSS Natural Stainless Steel ¹ | | | 35 3500K | | | |
| | | | | | CCC Custom Finish ¹ | | | 40 4000K | | | |
| | | | | | | | | SPW Speciality ² | AM AMBER ² | RG RGBW ² | |

Readymade available product options

¹ Consult factory for specialty finish quoting and lead times

² For Specialty AM (Amber LED) and RG (RGBW LED), select SPW (Specialty) for Wattage. Consult factory for LED technical details before Specification or Order.

OPTIONAL INSTALLED ACCESSORIES

GLARE SHIELD

OPTIC

MOUNTING (Most common listed, see Page 4 for additional options)

| | | |
|------------------------------------|--------------------------------|--|
| GSA A/B Glare Shield Angled | LVR Hexcel Louver | GROUND MOUNT |
| GSL A/B Glare Shield Long | OSL Overall Spread Lens | MHJB-06-BRZ 6" Stainless Steel 3-Prong Spike (120-277V) Bronze |
| GSS A/B Glare Shield Short | LSL Linear Spread Lens | MHJB-12-BRZ 12" Stainless Steel 3-Prong Spike (120-277V) Bronze |
| CGSA C Glare Shield Angled | SOL Solite Soft Focus | JB-1 Brass In-ground Junction Box |
| CGSL C Glare Shield Long | DCF Dichroic Filter | CANOPY MOUNT |
| CGSS C Glare Shield Short | | CM1-XXX 3.75" Square Canopy Plate |
| | | CM3-XXX 4.75" Square Canopy Plate |
| | | CM5-XXX 5" Round Canopy Plate |
| | | CM5-2-XXX 5" Round Canopy Plate - Double |
| | | SURFACE MOUNT |
| | | CB4.0-XXX 4" Round Surface Box |
| | | CB5.5-XXX 5.5" Round Surface Box |
| | | TREE MOUNT |
| | | TM120-ABR Aluminum Tree Mount Box (120V) |
| | | TM120-TS-ABR Stainless Steel Strap for TM125 |
| | | EXTENSIONS |
| | | EX-12-XXX 12" Extension |
| | | EX-24-XXX 24" Extension |
| | | EL-XXX Elbow Extension |

• Consult Accessory Spec Sheet for desired option code.

• XXX represents color option.

• Readymade options available in ABL and ABR only unless noted by the part code above.

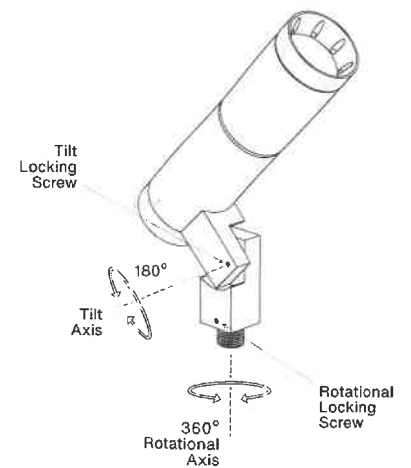
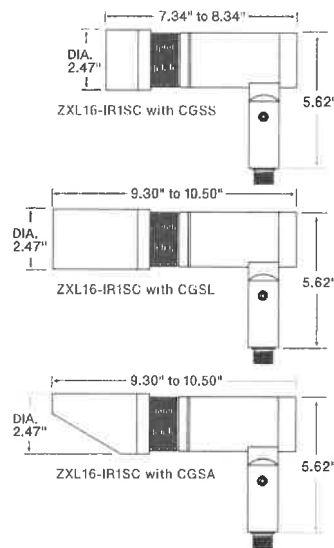
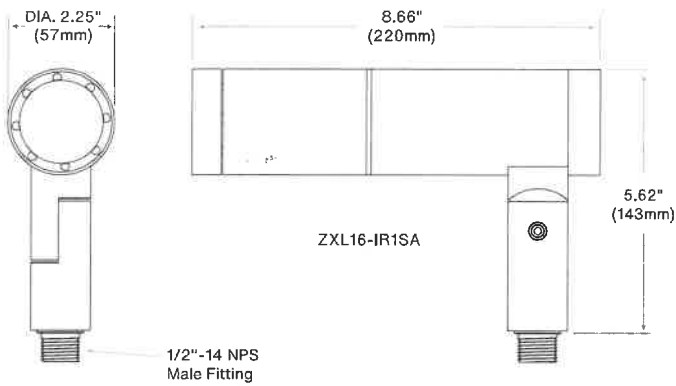
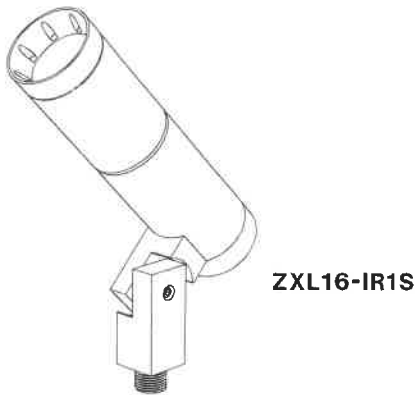
ADDITIONAL ACCESSORIES (Not installed at time of order)

GLARE SHIELD ACCESSORIES

OPTIC ACCESSORIES

| | |
|---|--|
| GSL-16-XXX A/B Glare Shield Long | LVR-16 Hexcel Louver |
| GSA-16-XXX A/B Glare Shield Angled | OSL-16 Overall Spread Lens |
| GSS-16-XXX A/B Glare Shield Short | LSL-16 Linear Spread Lens |
| CGSL-16-XXX C Glare Shield Long | SOL-16 Solite Soft Focus |
| CGSA-16-XXX C Glare Shield Angled | DCF-16 Dichroic Filter |
| CGSS-16-XXX C Glare Shield Short | OPK-16 Optic Kit - Narrow, Medium, Wide, Extra Wide |

PRODUCT DRAWINGS



OPTIONS & ACCESSORIES
HOOD OPTIONS

A-HOOD

Versatile hood with 8 weep holes for water drainage. Regressed lens for glare control. Suggested for general use or when fixture is aimed in an up position.


B-HOOD

Similar to A hood but without weep holes. Regressed lens for glare control. Used in an interior or down light application.


C-HOOD

Flush hood with machined threading on the outside for attachment of C-style glare shield, cleverly designed with hidden drainage channels.

OPTIONAL GLARE SHIELD

For use with A & B Hood, fastened with Set Screw

For use with C Hood fastened with Locking Ring


GSA
(angle)

GSL
(long)

GSS
(short)

CGSA
(angle)

CGSL
(long)

CGSS
(short)

MOUNTING ACCESSORIES
Canopy Plate:


Fixtures On CM5



CM2



CM1



CM3



CM5

Surface Mount Box:


Fixtures On CB5.1



CB3.5



CB4.0



CB4.0-SQ



CB5.1



CB5.5



CB5.5-K/O

Ground Mount:


Fixtures On MHJB-6



MHJB-6



MHJB-12



JB1

Tree Mount:

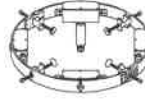

Fixtures On TM120-TS



TM120-TS



TM120-C-SM-HB



TS-SO

Extension:


Fixtures With EX,EL



EX

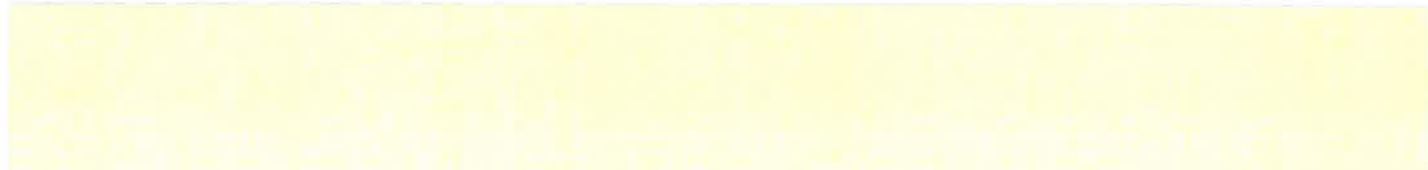


EL



T-BAR

Sign Light Arm: Please reference the Sign & Pole Mounting section in [Accessories](#) on our website.

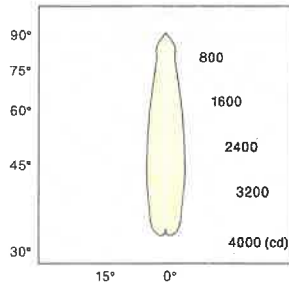
Notes:


PHOTOMETRY & ENERGY DATA

ZXL16I-10W-N (Narrow)

| | |
|----------------------------|--------|
| Input Power | 9.5W |
| Color Temperature (CCT) | 3000K |
| Color Rendering Index (Ra) | 83 |
| Beam Angle | 20.5° |
| Max. Candlepower | 3507cd |
| Delivered Lumens | 864lm |
| Efficacy | 91lm/W |

Polar Graph - Intensity



Cone of Light - Illuminance

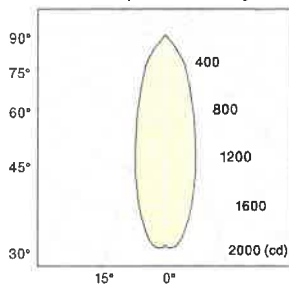
| Center Beam (fc) | Beam Diameter | Distance |
|------------------|---------------|----------|
| 877 | 0.7' | 2.0' |
| 219 | 1.4' | 4.0' |
| 97 | 2.2' | 6.0' |
| 55 | 2.9' | 8.0' |
| 35 | 3.6' | 10.0' |

1/2 Beam Angle: 20.5°

ZXL16I-10W-M (Medium)

| | |
|----------------------------|--------|
| Input Power | 9.5W |
| Color Temperature (CCT) | 3000K |
| Color Rendering Index (Ra) | 83 |
| Beam Angle | 32.5° |
| Max. Candlepower | 1842cd |
| Delivered Lumens | 863lm |
| Efficacy | 91lm/W |

Polar Graph - Intensity



Cone of Light - Illuminance

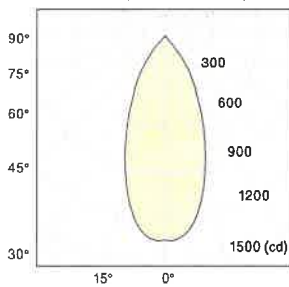
| Center Beam (fc) | Beam Diameter | Distance |
|------------------|---------------|----------|
| 460 | 1.2' | 2.0' |
| 115 | 2.3' | 4.0' |
| 51 | 3.5' | 6.0' |
| 29 | 4.6' | 8.0' |
| 18 | 5.8' | 10.0' |

1/2 Beam Angle: 32.5°

ZXL16I-10W-W (Wide)

| | |
|----------------------------|--------|
| Input Power | 9.5W |
| Color Temperature (CCT) | 3000K |
| Color Rendering Index (Ra) | 83 |
| Beam Angle | 44.1° |
| Max. Candlepower | 1332cd |
| Delivered Lumens | 850lm |
| Efficacy | 89lm/W |

Polar Graph - Intensity



Cone of Light - Illuminance

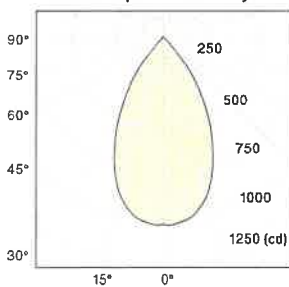
| Center Beam (fc) | Beam Diameter | Distance |
|------------------|---------------|----------|
| 333 | 1.6' | 2.0' |
| 83 | 3.2' | 4.0' |
| 37 | 4.9' | 6.0' |
| 21 | 6.5' | 8.0' |
| 13 | 8.1' | 10.0' |

1/2 Beam Angle: 44.1°

ZXL16I-10W-E (Extra Wide)

| | |
|----------------------------|--------|
| Input Power | 9.5W |
| Color Temperature (CCT) | 3000K |
| Color Rendering Index (Ra) | 83 |
| Beam Angle | 56.9° |
| Max. Candlepower | 1019cd |
| Delivered Lumens | 876lm |
| Efficacy | 92lm/W |

Polar Graph - Intensity



Cone of Light - Illuminance

| Center Beam (fc) | Beam Diameter | Distance |
|------------------|---------------|----------|
| 255 | 2.3' | 2.0' |
| 64 | 4.6' | 4.0' |
| 28 | 6.9' | 6.0' |
| 16 | 9.2' | 8.0' |
| 10 | 11.5' | 10.0' |

1/2 Beam Angle: 56.9°

WATTAGE MULTIPLIER

| Wattage | Multiplier |
|---------|------------|
| 5 Watt | 0.45 |
| 8 Watt | 0.80 |
| 10 Watt | 1.14 |
| 14 Watt | 1.56 |

CCT MULTIPLIER

| Color Temp. | Multiplier |
|-------------|------------|
| 2700k | 0.97 |
| 3000k | 1.00 |
| 4000k | 1.05 |