

## EXHIBIT A

Map for Consent to Easement  
 Consent No. DACW17-9-25-0140  
 Permit No. SAJ-2024-04011(NWP-ACD)  
 Grantee: City of Delray Beach Public Works  
 SE 7th Street Outfall Improvement  
 Delray Beach, Palm Beach County, Florida  
 Section 21 - T 46 S - R 43 E  
 22 September 2025

Intracoastal Waterway Jacksonville to Miami  
 Affects Tract No. 811

### LEGEND

- Consent Area
- Perpetual R/W Easement



SCALE: 1 INCH = 100 FEET

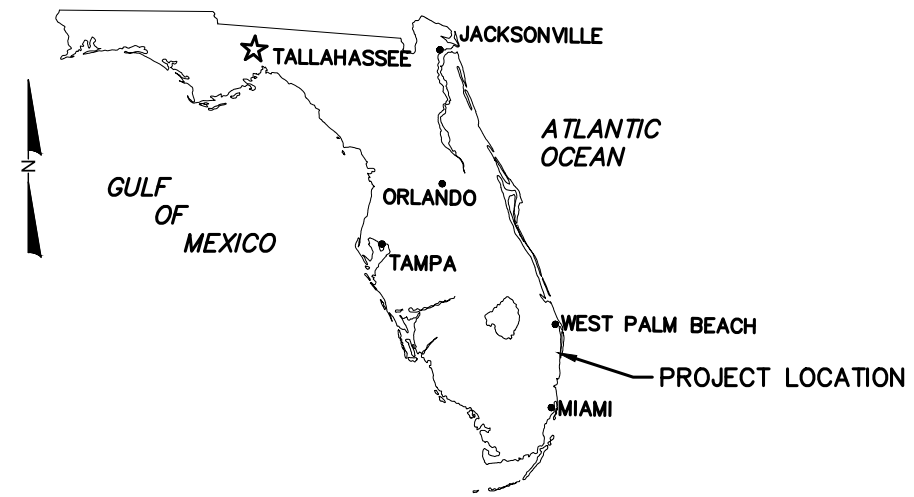


Prepared by:  
 Department of the Army  
 Corps of Engineers  
 Jacksonville District  
 Real Estate Division  
 Technical Services Branch

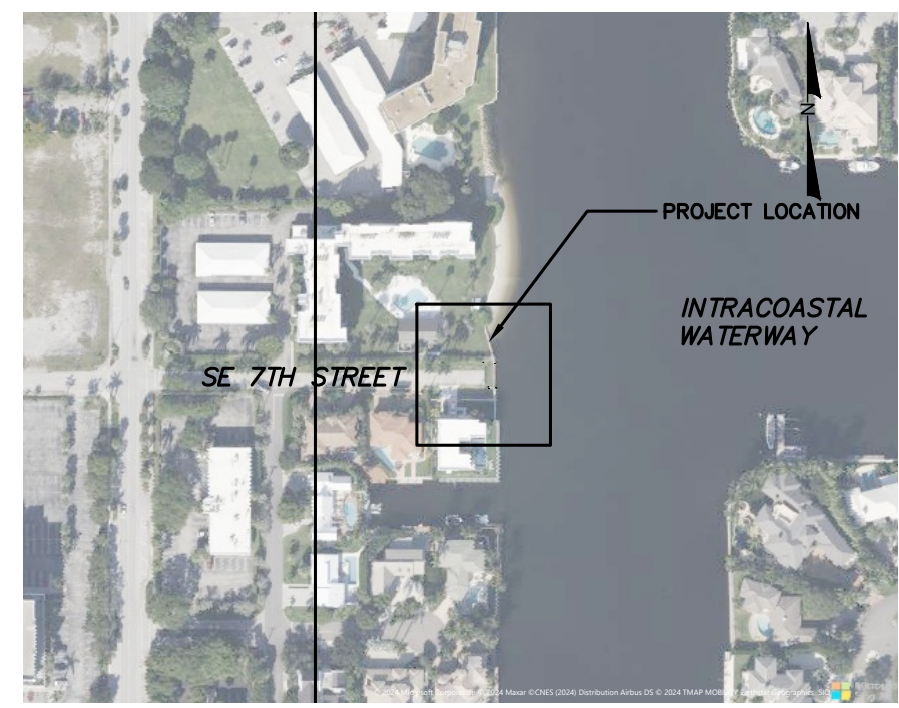
# SE 7TH STREET, DELRAY BEACH SEAWALL REPLACEMENT PROJECT PALM BEACH COUNTY, FLORIDA 33483

U.S. Army Corps of Engineers  
SAJ-2024-04011-ACD  
Sheet 1 of 13  
08/25/2025

**Aptim Environmental & Infrastructure, LLC**  
PH: (561) 391-8102  
FAX: (561) 391-9116  
C.O.A. FL #9317  
C.O.A. LA #2531  
6401 CONGRESS AVENUE, SUITE 140  
BOCA RATON, FLORIDA 33487  
www.aptim.com



INDEX TO SHEET	
1.	COVER SHEET
2.-3.	BOUNDARY SURVEY
4.-5.	EXISTING CONDITIONS AND DEMOLITION PLAN
6.	PLAN VIEW
7.-10.	DETAIL SHEETS



PROJECT LOCATION DETAIL: SCALE 1"=250'

No.	Date	Description

Designed by: RS	Checked by: DM	Reviewed by: DM	Submitted by: DM
Drawn by: RS	Date: 07/23/25	Plot Scale: AS NOTED	Comm. No.: 631037197

**SE 7TH STREET, DELRAY BEACH  
SEAWALL REPLACEMENT PROJECT**  
  
**COVER SHEET**

NOT FOR CONSTRUCTION  
FOR REGULATORY REVIEW ONLY

DACW17-9-25-0140  
CITY OF DELRAY BEACH PW  
EXHIBIT "B"  
PG 1 OF 13

DOUGLAS W. MANN, P.E. NO. 44046 \_\_\_\_\_ DATE \_\_\_\_\_

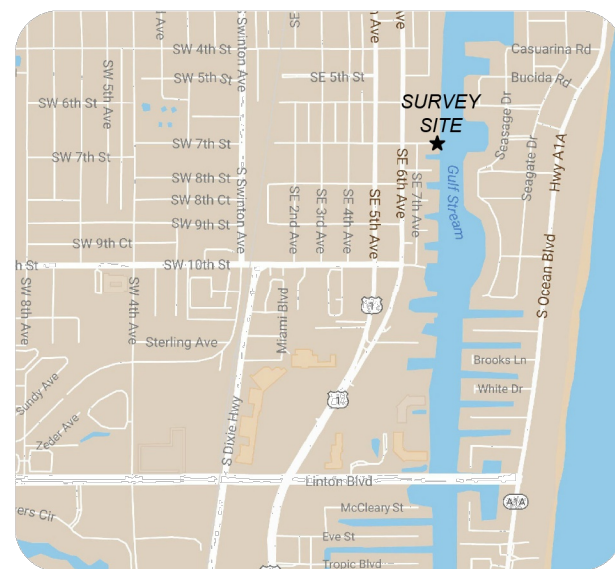
DRAWING NO.  
**CV-1**  
SHEET 1 OF 10

P:\Palm Beach\Delray Beach\A1037197 - Delray Seawall Replacements\CAD\7th St Seawall.dwg - Aug 22, 2025 10:31am - Rebecca.Schurr

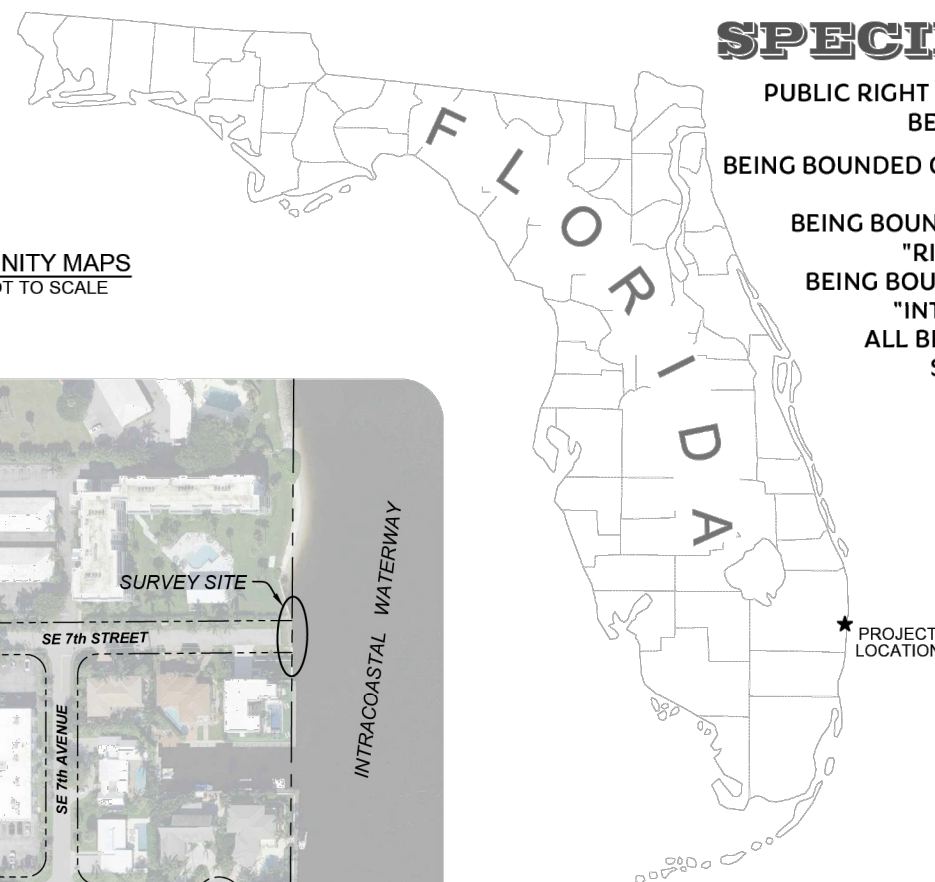
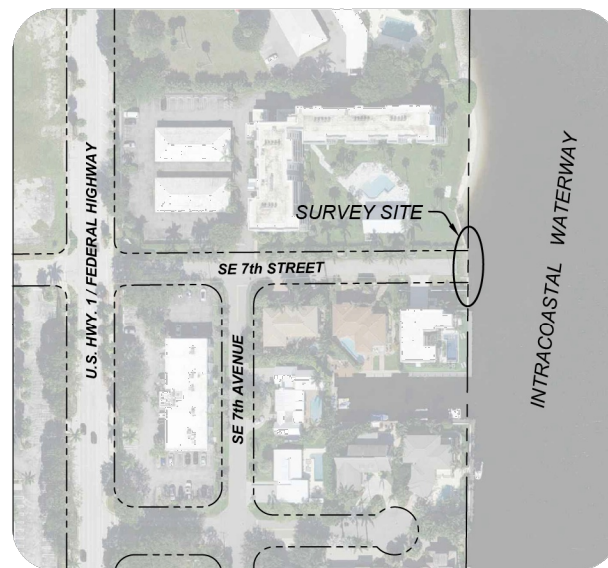
# SPECIFIC PURPOSE SURVEY

PUBLIC RIGHT OF WAY of SE 7th STREET AT THE INTRACOASTAL WATERWAY  
BEING MORE PARTICULARLY DESCRIBED AS FOLLOWS:

BEING BOUNDED ON THE NORTH BY THE SOUTH LINE OF "CHURCHILL CONDOMINIUM"  
PER OFFICIAL RECORDS BOOK 3267, PAGE 1705,  
BEING BOUNDED ON THE SOUTH BY THE NORTH LINE OF LOT 1, BLOCK 4 OF  
"RIO DEL REY SHORES" PER PLAT BOOK 25, PAGE 5 AND  
BEING BOUNDED ON THE EAST BY THE WEST RIGHT OF WAY LINE OF THE  
"INTRACOASTAL WATERWAY" PER PLAT BOOK 17, PAGE 1,  
ALL BEING IN THE PUBLIC RECORDS OF PALM BEACH COUNTY,  
SECTION 21, TOWNSHIP 46 SOUTH, RANGE 43 EAST,  
PALM BEACH COUNTY, FLORIDA



VICINITY MAPS  
NOT TO SCALE



**ABBREVIATIONS:**

- APX APPROXIMATE
- PBCR PALM BEACH COUNTY RECORDS
- ELEV ELEVATION
- EXST EXISTING
- FND FOUND
- ICWW INTRACOASTAL WATER WAY
- IP(C) IRON PIPE (& CAP)
- IR(C) IRON ROD (& CAP)
- L LENGTH
- NAVD 88 NORTH AMERICAN VERTICAL DATUM OF 1988
- NL/D NAIL & DISK
- ORB OFFICIAL RECORDS BOOK
- PB PLAT BOOK
- PBCR PALM BEACH COUNTY RECORDS
- PG(S) PAGES(S)
- PRM PERMANENT REFERENCE MONUMENT
- R RADIUS
- R/W RIGHT OF WAY
- TYP TYPICAL

**SURVEY NOTES:**

1. THIS IS A SPECIFIC PURPOSE SURVEY AS DEFINED IN THE STANDARDS OF PRACTICE FOR SURVEYING AND MAPPING IN CHAPTER 5J-17 FLORIDA ADMINISTRATIVE CODE.
2. THIS SURVEY IS CERTIFIED TO THE CITY OF DELRAY.
3. THIS SURVEY IS INTENDED EXCLUSIVELY FOR THE USE BY THOSE TO WHOM IT IS CERTIFIED. IT IS NOT TO BE USED BY OTHERS FOR CONSTRUCTION, PERMITTING, DESIGN OR ANY OTHER USE WITHOUT THE WRITTEN CONSENT OF TERRAQUATIC, INC.
4. THIS SURVEY, AND ANY REPRODUCTION THEREOF, IS NOT VALID WITHOUT AN ORIGINAL OR VERIFIED DIGITAL SIGNATURE AND SEAL OF A FLORIDA REGISTERED SURVEYOR. ADDITIONALLY, THIS SURVEY IS NOT VALID IF PRINTED BEARING A DIGITAL SIGNATURE AND SEAL.
5. OTHER THAN THOSE SHOWN ON THE REFERENCED PLAT, NO SEARCH OF THE PUBLIC RECORDS WAS PERFORMED FOR EASEMENTS, ENCUMBRANCES OR OTHER INSTRUMENTS OF RECORD WHICH MAY AFFECT THIS PARCEL OF LAND.
6. THIS MAP IS INTENDED TO BE DISPLAYED AT A SCALE OF 1 INCH = 40 FEET OR SMALLER.
7. UNDERGROUND UTILITIES WERE NOT LOCATED AS PART OF THIS SURVEY.
8. BEARING AND DISTANCES SHOWN HEREON ARE RELATIVE TO THE NORTH AMERICA DATUM OF 1983, 1990 ADJUSTMENT (NAD 83/90), FLORIDA STATE PLANE, EAST ZONE (0901), TRANSVERSE MERCATOR PROJECTION IN THE U.S. SURVEY FOOT UNIT OF MEASUREMENT.
9. BEARINGS SHOWN HEREON ARE RELATIVE TO A GRID BEARING OF N89°31'09"E ALONG THE NORTH CENTERLINE OF SE 7th STREET AS SHOWN HEREON.
10. LOCATIONS WERE OBTAINED USING REAL TIME KINEMATIC GPS METHODOLOGIES WITH BROADCAST CORRECTIONS FROM THE FLORIDA DEPARTMENT OF TRANSPORTATION REFERENCE NETWORK AND ARE ACCURATE TO THIRD ORDER, CLASS II.
11. UNLESS OTHERWISE NOTED, FIELD BEARINGS AND DISTANCES ARE CONSISTENT WITH THE RECORD PLAT.
13. THE SPECIFIC PURPOSE OF THIS SURVEY, AT THE DIRECTION OF THE CLIENT, WAS TO DETERMINE THE LIMITS OF THE PUBLIC RIGHT OF WAY AT THE INTERSECTION OF SE 7th STREET (EAST END) AND THE INTRACOASTAL WATERWAY; NO LEGAL DESCRIPTION WAS PROVIDED OR FOUND OTHER THAN THE DEDICATIONS ON SAID PLATS. RECORDS RESEARCH WAS LIMITED TO THE PALM BEACH COUNTY PROPERTY APPRAISERS WEB SITE WITH NO VACATION OF SAID RIGHT OF WAY BEING NOTED ON THE PLATS OR IN THE ADJACENT DEEDS.

**CERTIFICATION:**

I HEREBY CERTIFY THAT THE ATTACHED SPECIFIC PURPOSE SURVEY IS TRUE AND CORRECT TO THE BEST OF MY KNOWLEDGE AND BELIEF AS SURVEYED UNDER MY DIRECTION ON 11/22/24. I FURTHER CERTIFY THAT THIS SPECIFIC PURPOSE SURVEY MEETS THE STANDARDS OF PRACTICE SET FORTH IN CHAPTER 5J-17 ADOPTED BY THE FLORIDA BOARD OF PROFESSIONAL SURVEYORS AND MAPPERS PURSUANT TO FLORIDA STATUTE 472.027.



JOSHUA LEE, PSM - FLORIDA REGISTRATION NUMBER 7322

Digitally signed  
by Joshua Lee,  
PSM 7322  
Date: 2024.12.12  
16:58:10 -05'00'

PREPARED FOR / SITE ADDRESS  
**CITY OF DELRAY**  
[ADDRESS I]  
DELRAY BEACH, FL

PREPARED BY:  
**TERRAQUATIC, INC**  
1220 TANGELO TERR, UNIT A12  
DELRAY BEACH, FL 33444  
TELEPHONE: (561) 806-6085  
CERTIFICATE OF AUTHORIZATION NO. 7324



DRAWING: SE 7TH STREET SEAWALL.dwg	DRAWN BY: JFL	CHECKED BY: JFL	SHEET 1 OF 13
SCALE: N/A	DATE: 12/12/24	JOB No.: 24-1849	REV:

**Aptim Environmental & Infrastructure, LLC**

PH: (561) 391-8102  
FAX: (561) 391-9116  
C.O.A. FL #9317  
C.O.A. LA #2531

6401 CONGRESS AVENUE, SUITE 140  
BOCA RATON, FLORIDA 33487  
www.aptim.com

No.	Date	Description

Designed by: RS	Checked by: DM
Drawn by: RS	Reviewed by: DM
Date: 07/23/25	Submitted by: DM
Plot Scale: AS NOTED	Comm. No.: 631037197

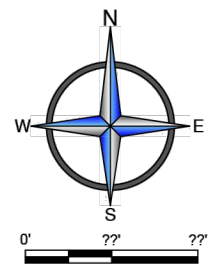
Reference File:

SE 7TH STREET, DELRAY BEACH SEAWALL REPLACEMENT PROJECT  
BOUNDARY SURVEY

DRAWING NO.

EC-1

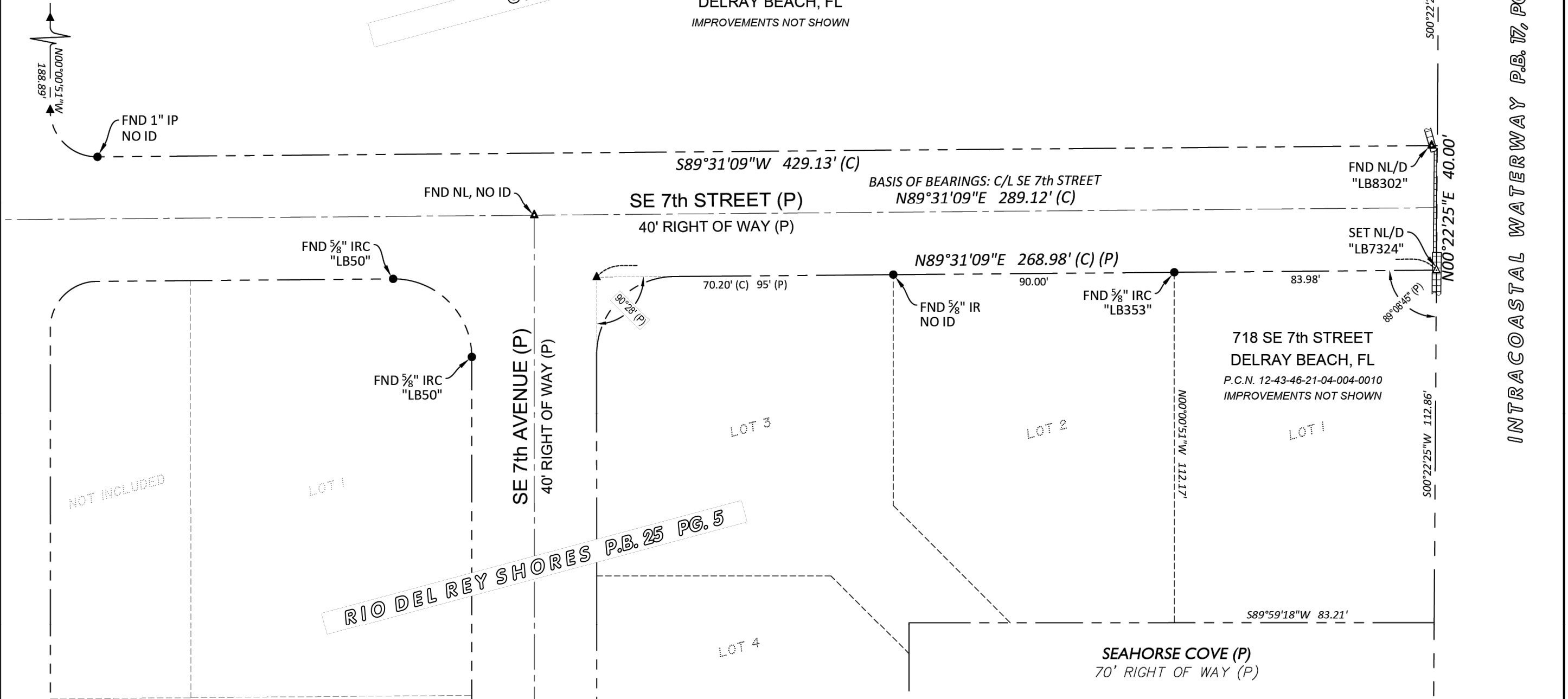
SHEET 2 OF 10



HORIZONTAL SCALE: 1" = 30'

CHURCHILL CONDOMINIUM O.R.B. 3267, PG. 1705  
611 SE 7th STREET  
DELRAY BEACH, FL  
IMPROVEMENTS NOT SHOWN

INTRACOASTAL WATERWAY P.B. 17, PG. 1



RIO DEL REY SHORES P.B. 25 PG. 5

PREPARED BY:  
**TERRAQUATIC, INC**  
1220 TANGELO TERR, UNIT A12  
DELRAY BEACH, FL 33444  
TELEPHONE: (561) 806-6085  
CERTIFICATE OF AUTHORIZATION NO. 7324

PREPARED FOR / SITE ADDRESS  
**CITY OF DELRAY**  
[ADDRESS 1]  
DELRAY BEACH, FL

**TERRAQUATIC**  
SURVEYING AND MAPPING

DRAWING: SE 7TH STREET SEAWALL.dwg	DRAWN BY: BL
SCALE: 1" = 30'	DATE: 12/12/24
JOB No.: 24-1849	CHECKED BY: JRL
REV:	SHEET 3 OF 10

REVISIONS	No.	Date	Description

Reference File:	Designed by: RS	Checked by: DM
	Drawn by: RS	Reviewed by: DM
	Date: 07/23/25	Submitted by: DM
	Plot Scale: AS NOTED	Comm. No.: 631037197

SE 7TH STREET, DELRAY BEACH SEAWALL REPLACEMENT PROJECT  
BOUNDARY SURVEY  
DRAWING NO. EC-2  
SHEET 3 OF 10

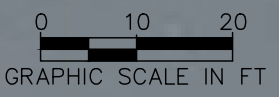
P:\Delray Beach\Delray Beach\A1037197 - Delray Seawall Replacements\CAD\7th St Seawall.dwg - Aug 22, 2025 10:38am - Rebecca Schurr

- DEMOLISH:**
1. EXISTING CONCRETE CAP
  2. EXISTING CONCRETE SEAWALL
  3. EXISTING BATTER PILES

U.S. Army Corps of Engineers  
 SAJ-2024-04011-ACD  
 Sheet 4 of 13  
 08/25/2025

**Aptim Environmental & Infrastructure, LLC**  
 PH. (561) 391-8102  
 FAX (561) 391-9116  
 C.O.A. FL #9317  
 C.O.A. LA #2531

6401 CONGRESS AVENUE, SUITE 140  
 BOCA RATON, FLORIDA 33487  
 www.aptim.com



NOTE: TOPOGRAPHIC & BATHYMETRIC SURVEY COMPLETED BY APTIM ON FEB 2024  
 BOUNDARY SURVEY COMPLETED BY TERRAQUATIC ON OCTOBER 2024

NOT FOR CONSTRUCTION  
 FOR REGULATORY REVIEW ONLY  
 DACW17-9-25-0140  
 CITY OF DELRAY BEACH PW  
 EXHIBIT "B"  
 PG 4 OF 13  
 DATE

REVISIONS	No.	Date	Description

Designed by:	RS	Checked by:	DM
Drawn by:	RS	Reviewed by:	DM
Date:	07/23/25	Submitted by:	DM
Plot Scale:	AS NOTED	Comm. No.:	631037197

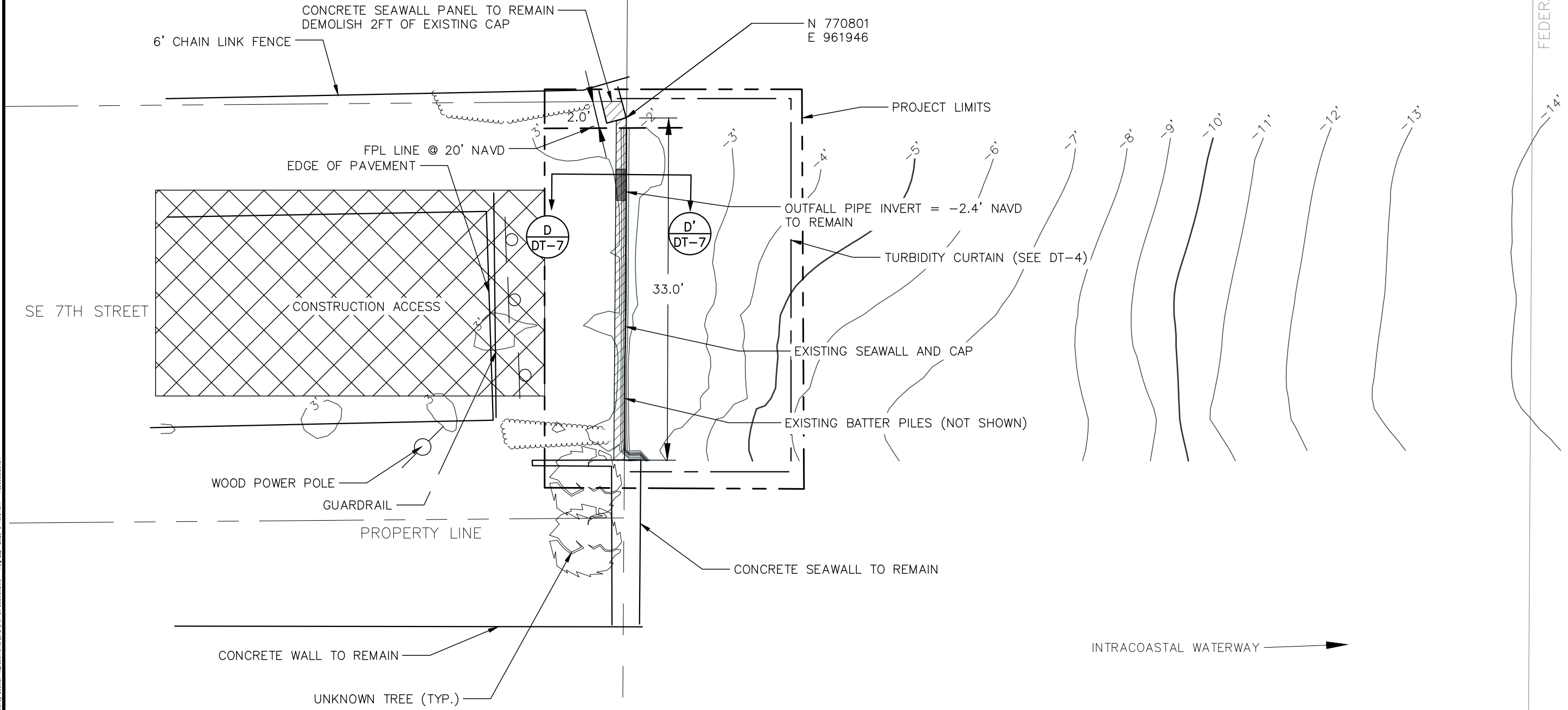
SE 7TH STREET, DELRAY BEACH SEAWALL REPLACEMENT PROJECT
EXISTING CONDITIONS AND DEMOLITION PLAN
DRAWING NO. EC-3
SHEET 4 OF 10

P:\Verm Beach\Delray Beach\A1037197 - Delray Seawall Replacement\CAD\7th St Seawall.DWG - Aug 22, 2025 @ 10:34am - Rebecca Schurr

- DEMOLISH:
1. EXISTING CONCRETE CAP
  2. EXISTING CONCRETE SEAWALL
  3. EXISTING BATTER PILES

U.S. Army Corps of Engineers  
SAJ-2024-04011-ACD  
Sheet 5 of 13  
08/25/2025

**Aptim Environmental & Infrastructure, LLC**  
PH: (561) 391-8102  
FAX: (561) 391-9116  
C.O.A. FL #9317  
C.O.A. LA #2531  
6401 CONGRESS AVENUE, SUITE 140  
BOCA RATON, FLORIDA 33487  
www.aptim.com



NOTE: TOPOGRAPHIC & BATHYMETRIC SURVEY COMPLETED BY APTIM ON FEB 2024  
BOUNDARY SURVEY COMPLETED BY TERRAQUATIC ON OCTOBER 2024

NOT FOR CONSTRUCTION FOR REGULATORY REVIEW ONLY		DACW17-9-25-0140 CITY OF DELRAY BEACH PW EXHIBIT "B" PG 5 OF 13	DATE
DOUGLAS W. MANN, P.E. NO. 44046			

REVISIONS	No.	Date	Description

Designed by:	RS	Checked by:	DM
Drawn by:	RS	Reviewed by:	DM
Date:	07/23/25	Submitted by:	DM
Plot Scale:	AS NOTED	Comm. No.:	631037197

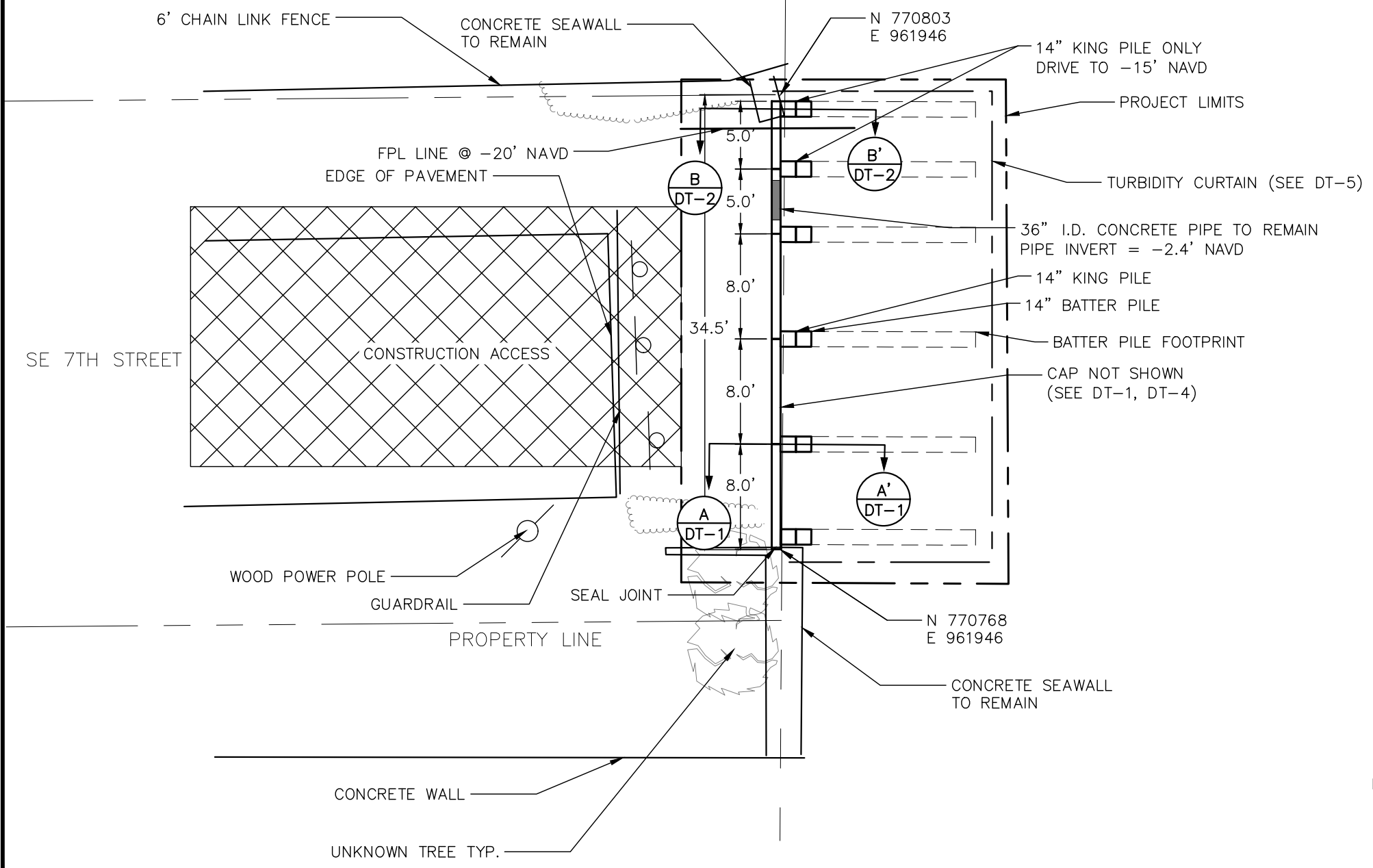
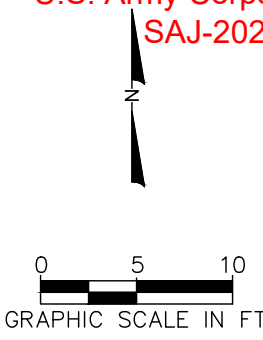
SE 7TH STREET, DELRAY BEACH SEAWALL REPLACEMENT PROJECT  
EXISTING CONDITIONS AND DEMOLITION PLAN

DRAWING NO. EC-4  
SHEET 5 OF 10

P:\Palm Beach\Delray Beach\1037197 - Delray Seawall Replacement\CAD\7th St Seawall.DWG - Aug 22, 2025 @ 10:34am - Renecca.Schur

NOTE: NEW SEAWALL TO BE INSTALLED WITHIN EXISTING FOOTPRINT OF THE PREVIOUS SEAWALL LOCATION

U.S. Army Corps of Engineers  
SAJ-2024-04011-ACD  
Sheet 6 of 13  
08/25/2025



NOTE: SEE SHEET EC-3 FOR TOPOGRAPHIC & BATHYMETRIC SURVEY COMPLETED BY APTIM ON OCTOBER 2024  
BOUNDARY SURVEY COMPLETED BY TERRAQUATIC ON OCTOBER 2024

NOT FOR CONSTRUCTION  
FOR REGULATORY REVIEW ONLY  
DACW17-9-25-0140  
CITY OF DELRAY BEACH PW  
EXHIBIT "B"  
PG 6 OF 13  
DOUGLAS W. MANN, P.E. NO. 44046  
DATE

FEDERAL CHANNEL

**Aptim Environmental & Infrastructure, LLC**  
PH: (561) 391-8102  
FAX: (561) 391-9116  
C.O.A. FL #9317  
C.O.A. LA #2531

6401 CONGRESS AVENUE, SUITE 140  
BOCA RATON, FLORIDA 33487  
www.aptim.com

REVISIONS	No.	Date	Description

Designed by: RS	Checked by: DM
Drawn by: RS	Reviewed by: DM
Date: 07/23/25	Submitted by: DM
Plot Scale: AS NOTED	Comm. No.: 631037197

**SE 7TH STREET, DELRAY BEACH SEAWALL REPLACEMENT PROJECT**

**PLAN VIEW**

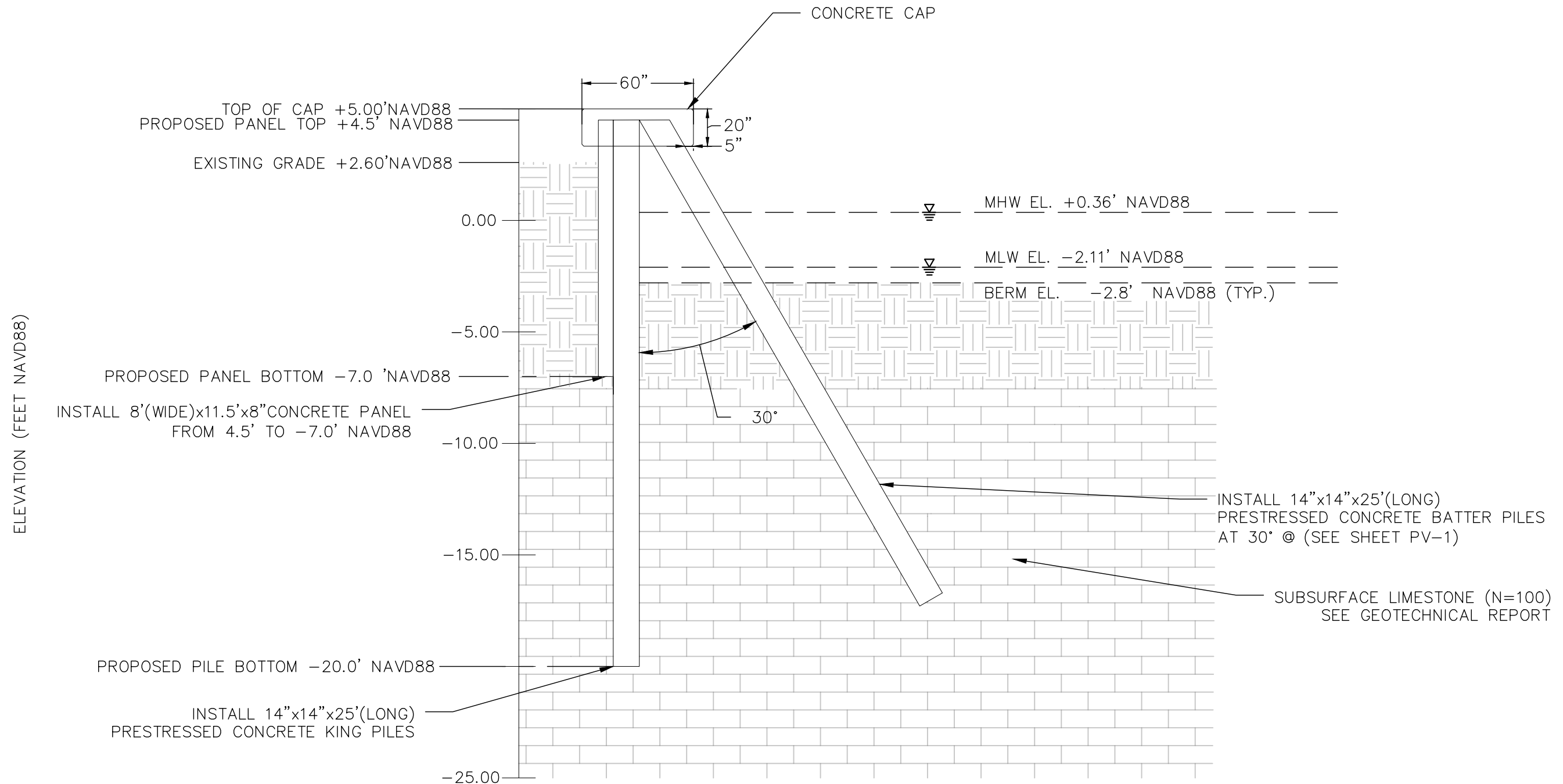
DRAWING NO. **PV-1**

SHEET 6 OF 10

NOTE: NEW SEAWALL TO BE INSTALLED WITHIN EXISTING FOOTPRINT OF THE PREVIOUS SEAWALL LOCATION

U.S. Army Corps of Engineers  
SAJ-2024-04011-ACD  
Sheet 7 of 13  
08/25/2025

**Aptim Environmental & Infrastructure, LLC**  
PH: (561) 391-8102  
FAX: (561) 391-9116  
C.O.A. FL #9317  
C.O.A. LA #2531  
6401 CONGRESS AVENUE, SUITE 140  
BOCA RATON, FLORIDA 33487  
www.aptim.com



**SEAWALL DETAIL A'-A**  
SCALE: 1"=5'

ELEVATION (FEET NAVD88)

REVISIONS	No.	Date	Description

Checked by:	DM
Reviewed by:	DM
Submitted by:	DM
Date:	07/23/25
Plot Scale:	AS NOTED
Comm. No.:	631037197

Reference Files:  
Designed by: RS  
Drawn by: RS  
Date: 07/23/25  
Plot Scale: AS NOTED  
Comm. No.: 631037197

SE 7TH STREET, DELRAY BEACH  
SEAWALL REPLACEMENT PROJECT  
DETAIL SHEET

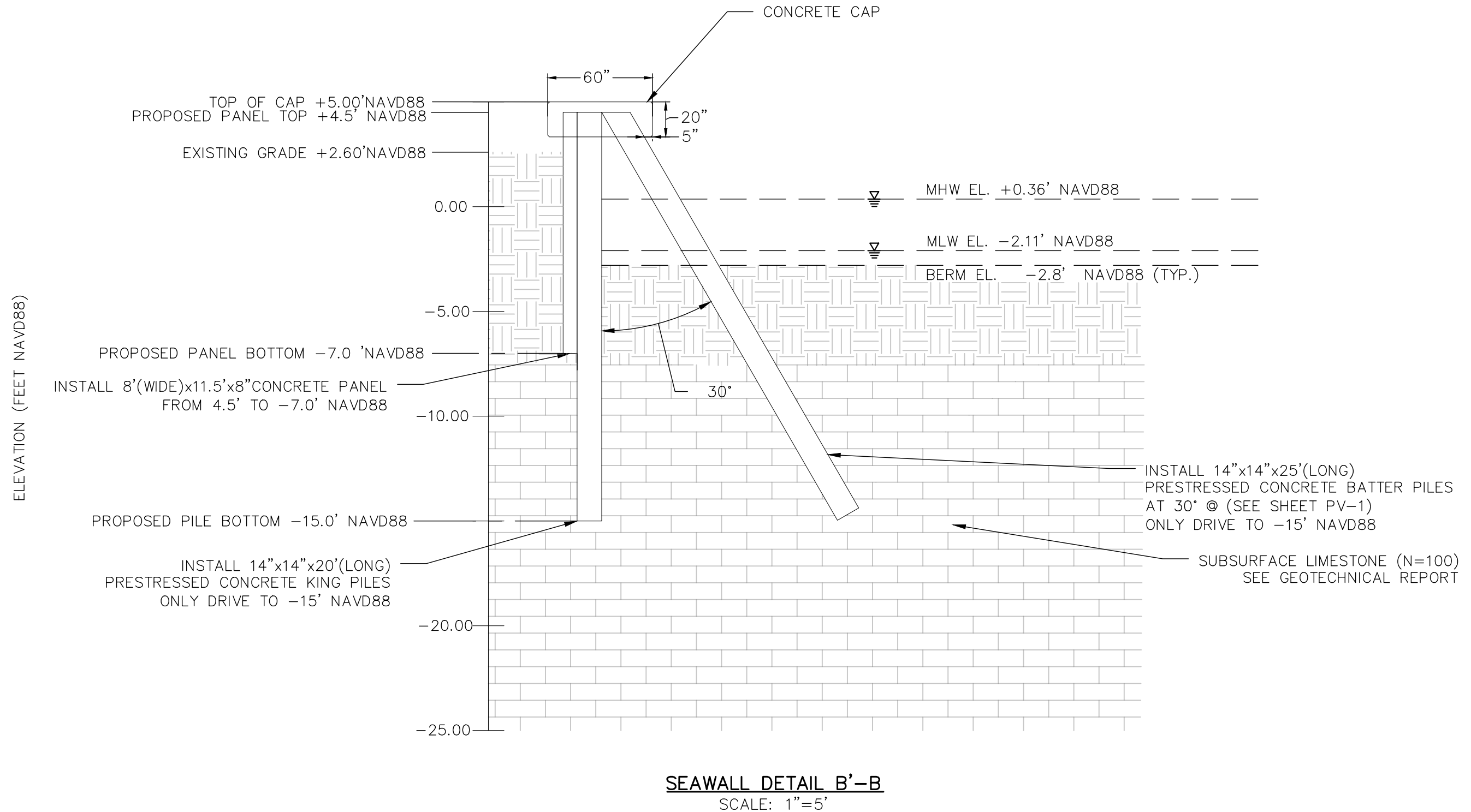
NOT FOR CONSTRUCTION  
FOR REGULATORY REVIEW ONLY  
DACW17-9-25-0140  
CITY OF DELRAY BEACH PW  
EXHIBIT "B"  
PG 7 OF 13  
DOUGLAS W. MANN, P.E. NO. 44046  
DATE

DRAWING NO.  
**DT-1**  
SHEET 7 OF 10

NOTE: NEW SEAWALL TO BE INSTALLED WITHIN EXISTING FOOTPRINT OF THE PREVIOUS SEAWALL LOCATION

U.S. Army Corps of Engineers  
SAJ-2024-04011-ACD  
Sheet 8 of 13  
08/25/2025

**Aptim Environmental & Infrastructure, LLC**  
PH: (561) 391-8102  
FAX: (561) 391-9116  
C.O.A. FL #9317  
C.O.A. LA #2531  
6401 CONGRESS AVENUE, SUITE 140  
BOCA RATON, FLORIDA 33487  
www.aptim.com



**SEAWALL DETAIL B'-B**  
SCALE: 1"=5'

NOT FOR CONSTRUCTION  
FOR REGULATORY REVIEW ONLY **DACW17-9-25-0140**  
**CITY OF DELRAY BEACH PW**  
**EXHIBIT "B"**  
DOUGLAS W. MANN, P.E. NO. 44046 **PG 8 OF 13** DATE

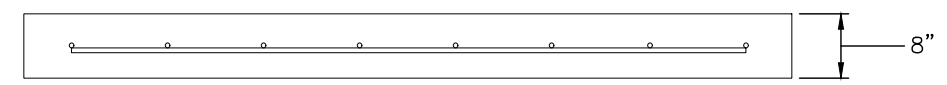
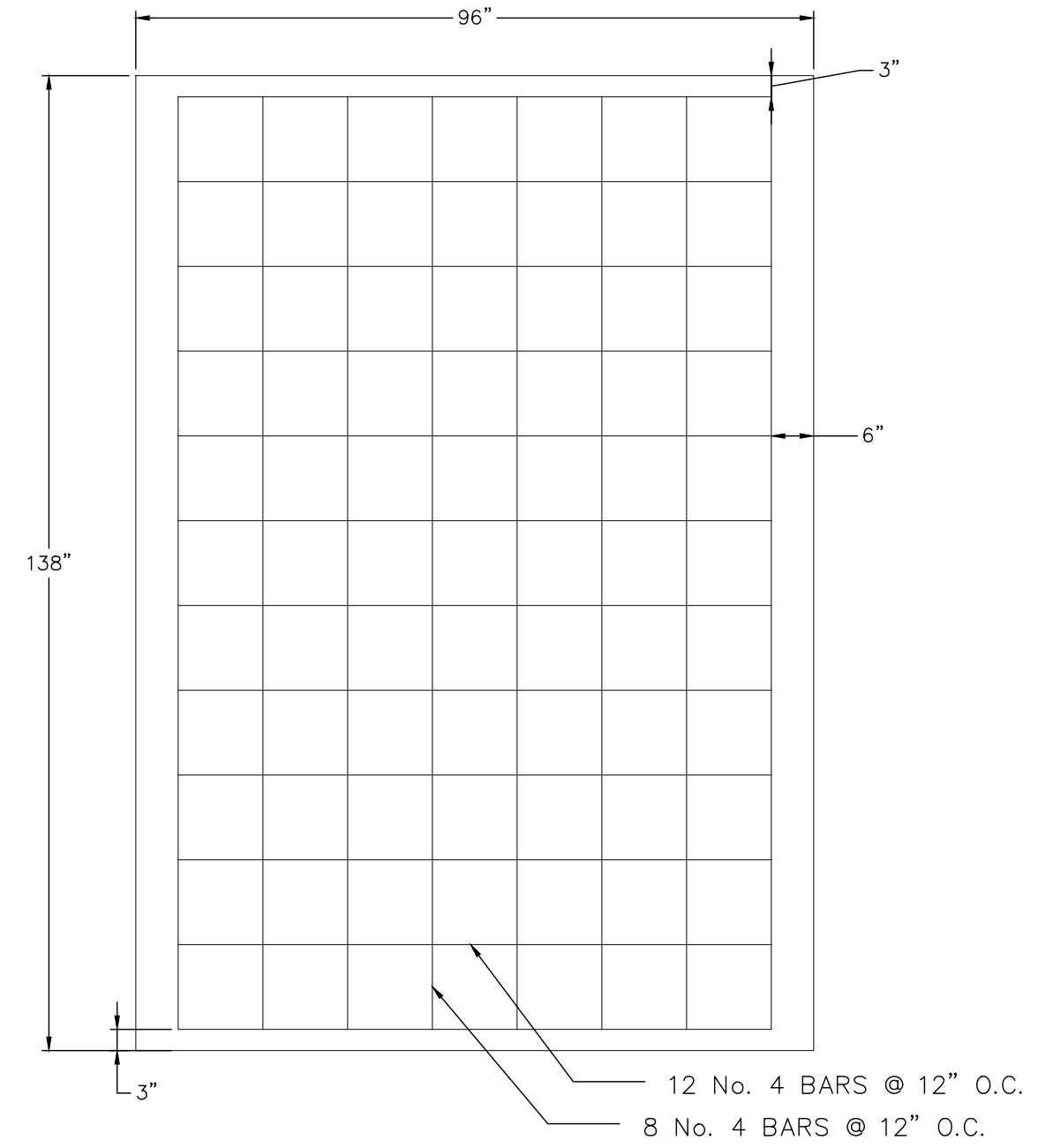
REVISIONS	No.	Date	Description

Designed by:	RS	Checked by:	DM
Drawn by:	RS	Reviewed by:	DM
Date:	07/23/25	Submitted by:	DM
Plot Scale:	AS NOTED	Comm. No.:	631037197

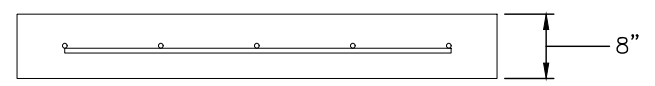
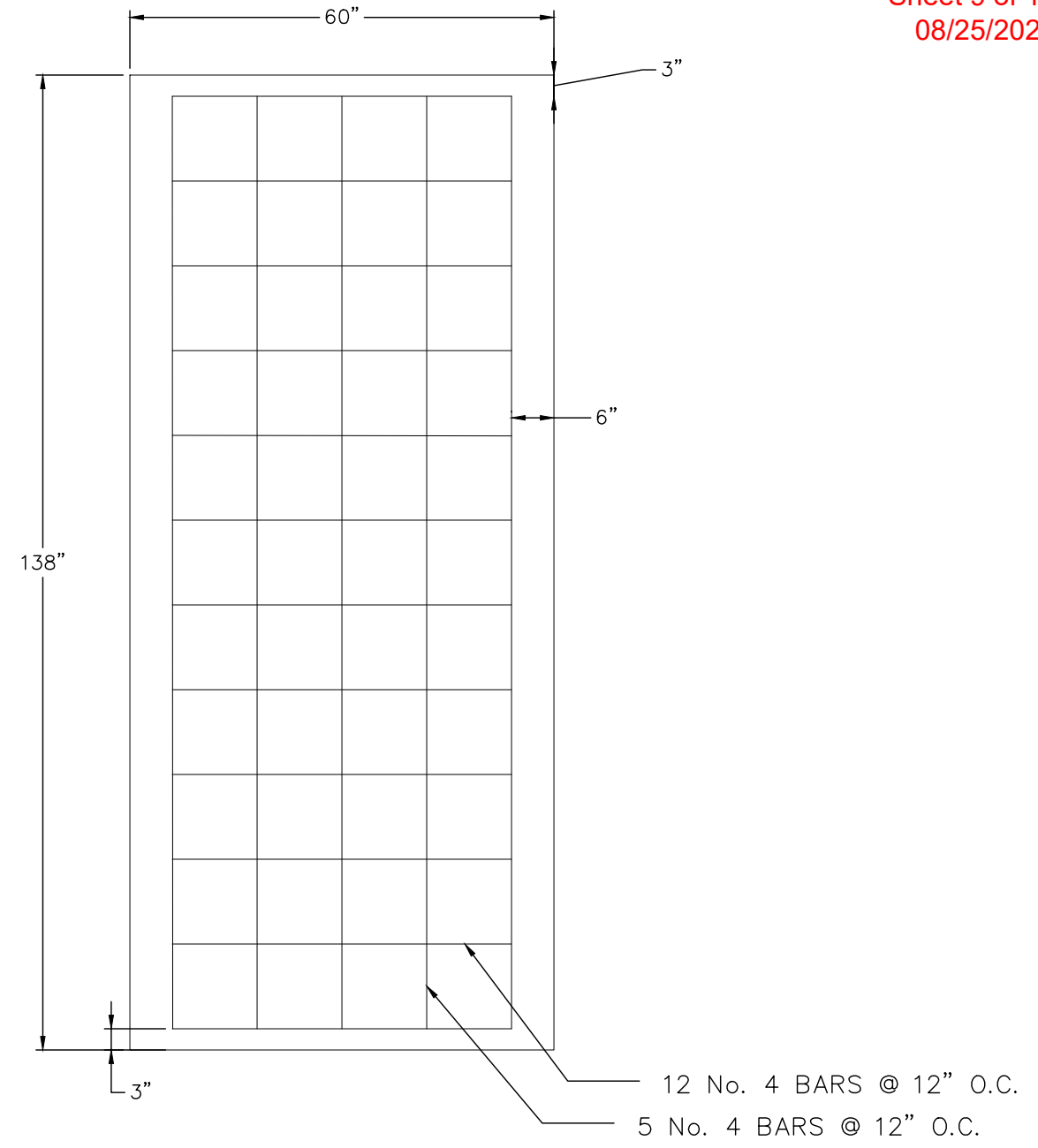
Reference Files:

**SE 7TH STREET, DELRAY BEACH SEAWALL REPLACEMENT PROJECT**  
**DETAIL SHEET**

DRAWING NO.  
**DT-2**  
SHEET 7 OF 10



**CONCRETE 8' PANEL  
 STEEL REINFORCEMENT DETAIL**  
 SCALE: 1"=2'



**CONCRETE 5' PANEL  
 STEEL REINFORCEMENT DETAIL**  
 SCALE: 1"=2'

No.	Date	Description

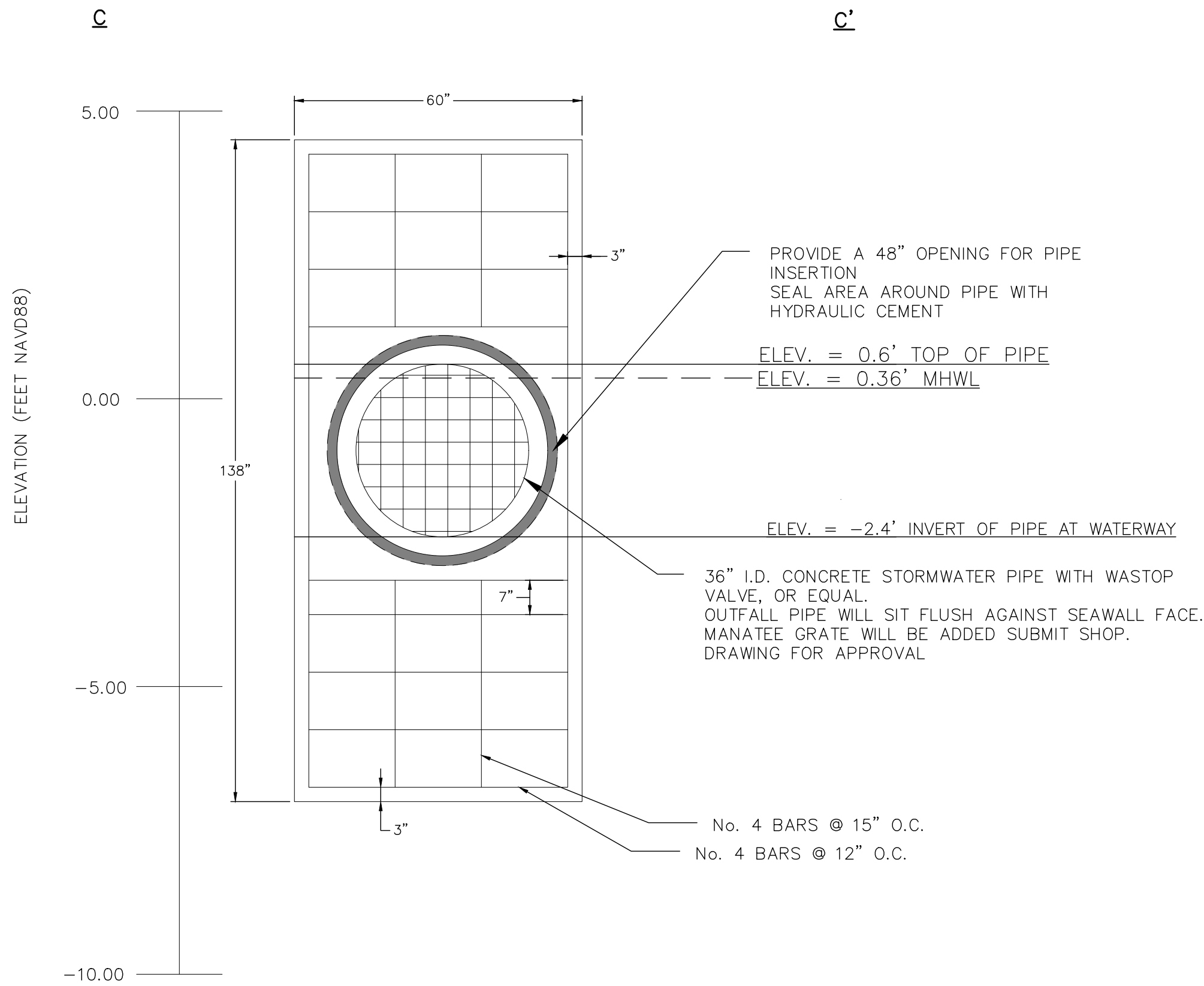
Checked by:	DM
Reviewed by:	DM
Submitted by:	DM
Date:	07/23/25
Comm. No.:	631037197
Plot Scale:	AS NOTED

SE 7TH STREET, DELRAY BEACH  
 SEAWALL REPLACEMENT PROJECT  
 DETAIL SHEET

NOT FOR CONSTRUCTION  
 FOR REGULATORY REVIEW ONLY  
 DACW17-9-25-0140  
 CITY OF DELRAY BEACH PW  
 EXHIBIT "B"  
 PG 9 OF 13  
 DOUGLAS W. MANN, P.E. NO. 44046  
 DATE

DRAWING NO.  
**DT-3**  
 SHEET 8 OF 10

P:\Palm Beach\Delray Beach\A1037197 - Delray Seawall Replacement\CAD\7th St Seawall.DWG - Aug 22, 2025 @ 10:35am - Rebecca.Schurr



**SECTION C-C'**  
**STORMWATER OUTFALL**  
**ELEVATION VIEW DETAIL**  
 SCALE: 1" = 2'

NOT FOR CONSTRUCTION  
 FOR REGULATORY REVIEW ONLY

DACW17-9-25-0140  
 CITY OF DELRAY BEACH PW  
 EXHIBIT "B"  
 PG 10 OF 13

DOUGLAS W. MANN, P.E. NO. 44046

DATE

No.	Date	Description

Designed by:	RS	Checked by:	DM
Drawn by:	RS	Reviewed by:	DM
Date:	07/23/25	Submitted by:	DM
Plot Scale:	AS NOTED	Comm. No.:	631037197

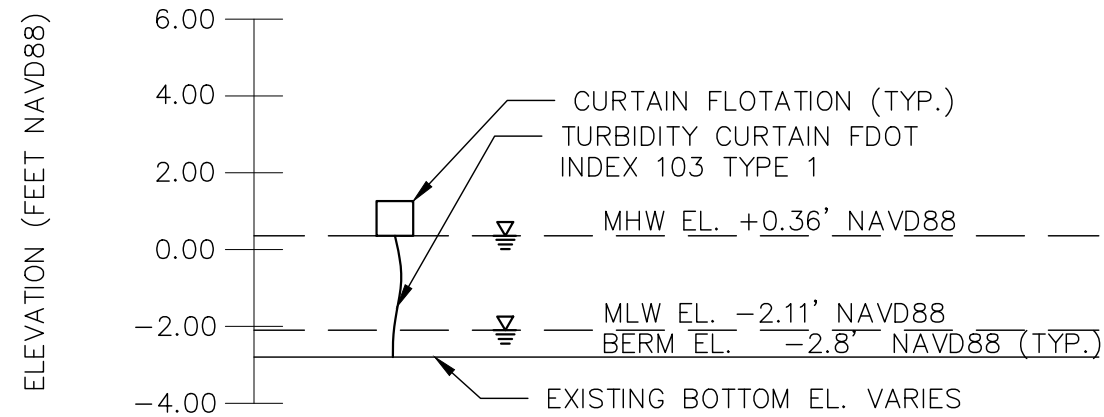
Reference Files:

SE 7TH STREET, DELRAY BEACH  
 SEAWALL REPLACEMENT PROJECT  
 DETAIL SHEET

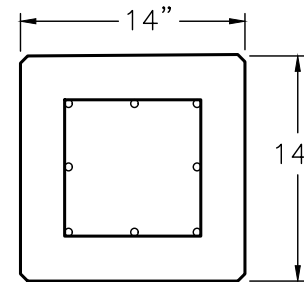
DRAWING NO.  
**DT-4**  
 SHEET 2 OF 10

P:\Palm Beach\Delray Beach\A1037197 - Delray Seawall Replacement\CAD\7th St Seawall.DWG - Aug 22, 2025 @ 10:35am - Rebecca.Schur





**TURBIDITY CURTAIN  
ELEVATION VIEW DETAIL**  
SCALE: 1" = 5'



**NOTE:**  
14"x14" PRESTRESSED CONCRETE PILE  
8-1/2"  $\phi$ , GRADE 270 LRS, PULL AT 31 KIPS  
REFER TO FDOT INDEX NO. 20614 SHEET NO. 1

**SECTION PILE**  
SCALE: 1" = 1'

REVISIONS	No.	Date	Description

Designed by:	Checked by:
RS	DM
Drawn by:	Reviewed by:
RS	DM
Date:	Submitted by:
07/23/25	DM
Plot Scale:	Comm. No.:
AS NOTED	631037197

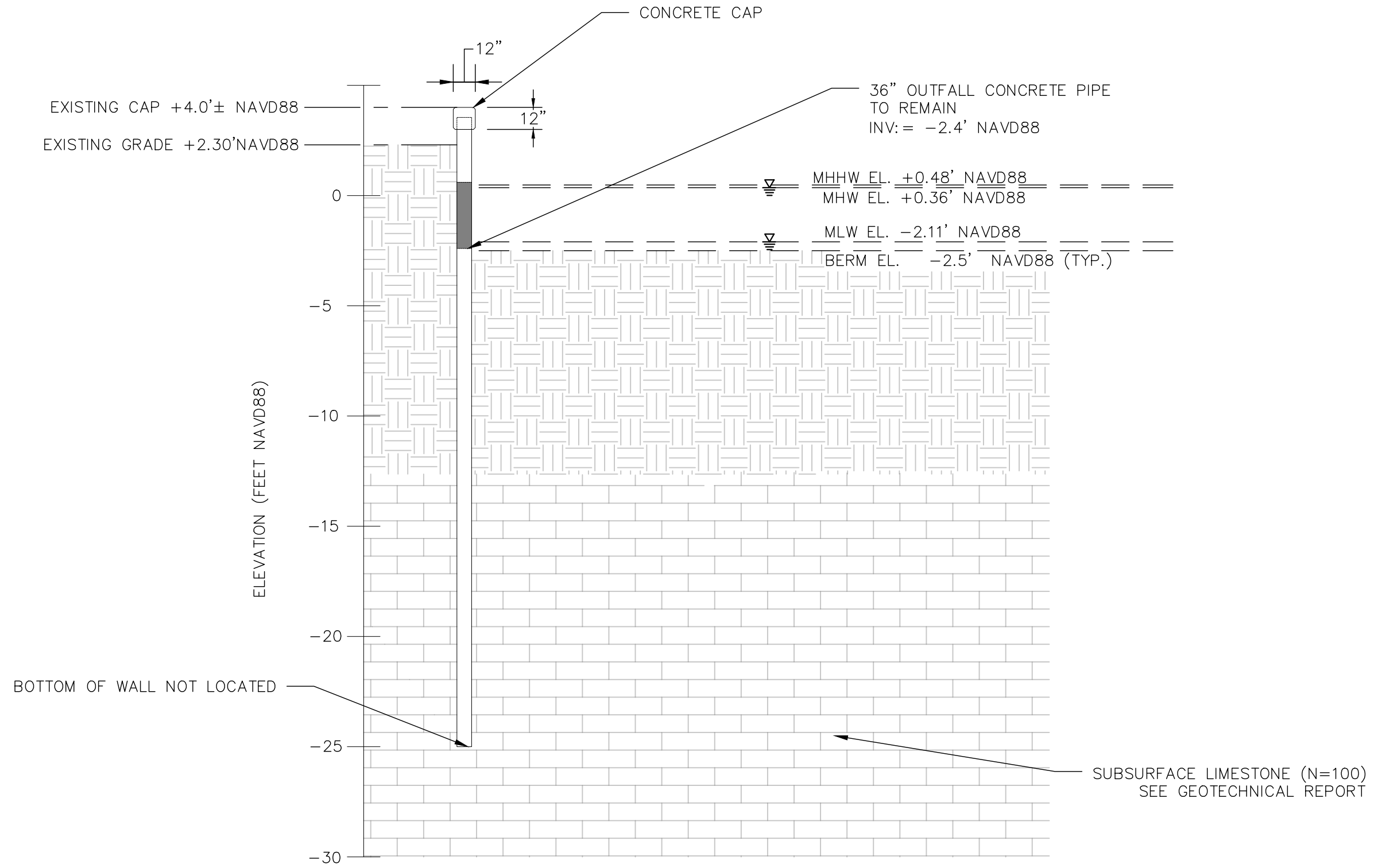
Reference Files:

SE 7TH STREET, DELRAY BEACH  
SEAWALL REPLACEMENT PROJECT  
DETAIL SHEET

NOT FOR CONSTRUCTION  
FOR REGULATORY REVIEW ONLY  
DACW17-9-25-0140  
CITY OF DELRAY BEACH PW  
EXHIBIT "B"  
PG 12 OF 13  
DOUGLAS W. MANN, P.E. NO. 44046  
DATE

DRAWING NO.  
**DT-6**  
SHEET 10 OF 10

P:\Palm Beach\Delray Beach\A1037197 - Delray Seawall Replacements\CAD\7th St Seawall.dwg - Aug 22, 2025 10:35am - Rebecca Schurr



**SEAWALL DETAIL D'-D**  
SCALE: 1"=5'

NOT FOR CONSTRUCTION  
FOR REGULATORY REVIEW ONLY  
DACW17-9-25-0140  
CITY OF DELRAY BEACH PW  
EXHIBIT "B"  
PG 13 OF 13  
DOUGLAS W. MANN, P.E. NO. 44046  
DATE

REVISIONS	No.	Date	Description

Designed by:	RS	Checked by:	DM
Drawn by:	RS	Reviewed by:	DM
Date:	07/23/25	Submitted by:	DM
Plot Scale:	AS NOTED	Comm. No.:	631037197

SE 7TH STREET, DELRAY BEACH  
SEAWALL REPLACEMENT PROJECT  
DETAIL SHEET

DRAWING NO.  
**DT-7**  
SHEET 7 OF 10

P:\Palm Beach\Delray Beach\A1037197 - Delray Seawall Replacement\CAD\7th St Seawall.dwg - Aug 22, 2025 10:36am - Rebecca Schurr